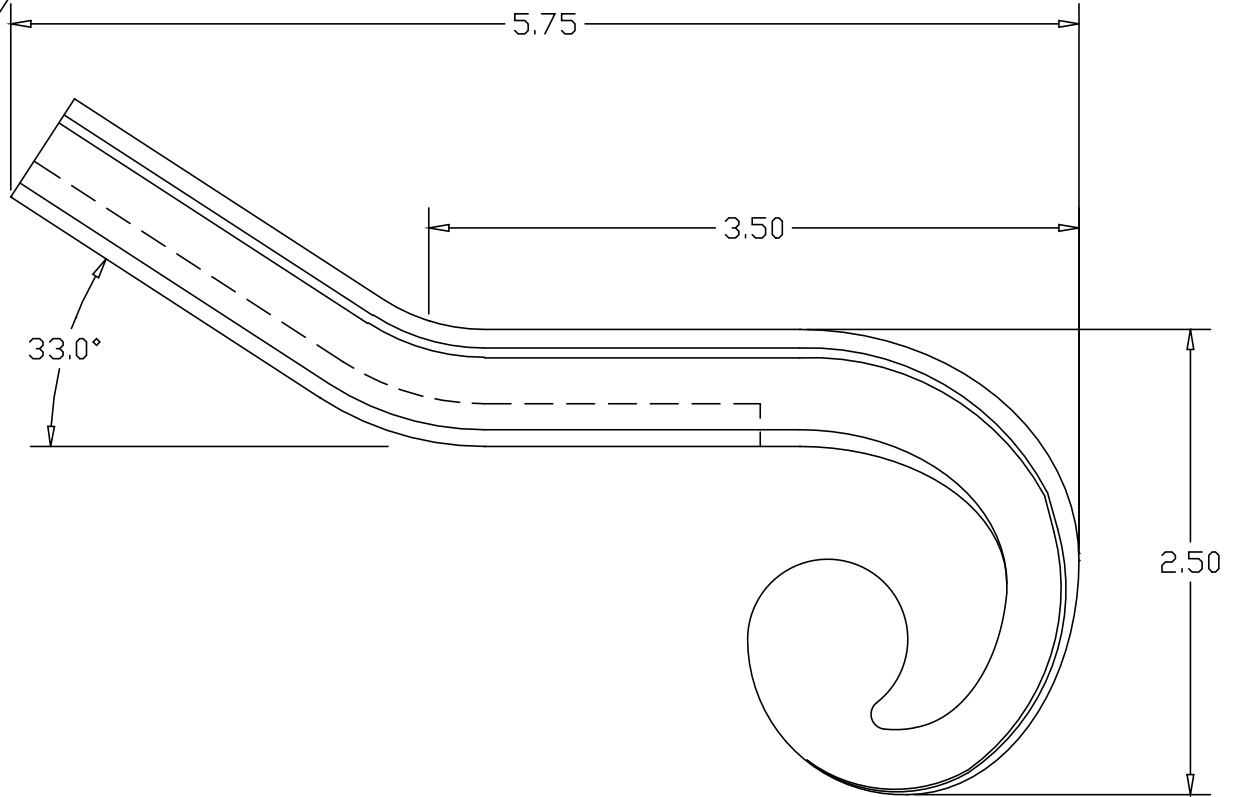
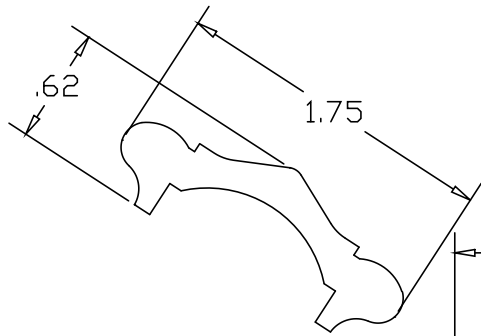



REVISIONS			
REV	DESCRIPTION	DATE	APPROVED



PART NAME		TERMINAL END FOR HANDRAIL H1248		
MATERIAL		CAST MALLEABLE IRON ASTM A47		
DATE	12/06/11		THE WAGNER COMPANIES R & B WAGNER, INC. AND J. G. BRAUN CO.	
DRAWN BY	RJF			
FINISH	SHOT BLASTED	SIZE	WEIGHT	PART NUMBER
		A	1.228 LBS	H1248F
				REV