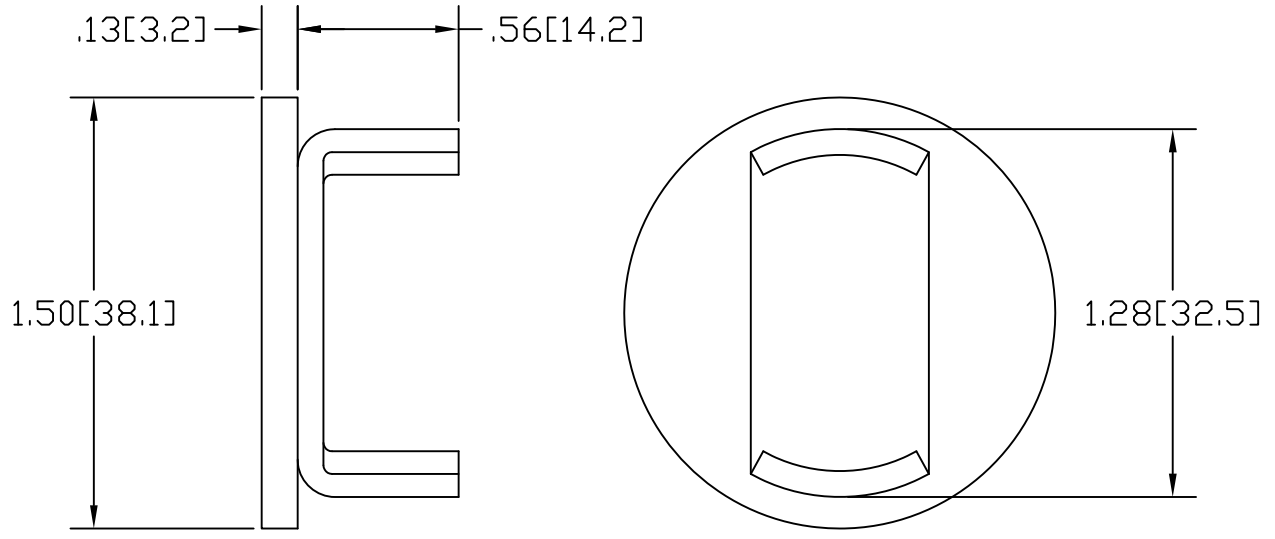



REV  
SH  
DWG NO D045E

REVISIONS			
REV	DESCRIPTION	DATE	APPROVED



INCHES [MILLIMETERS]

ALTERNATE MATERIAL	PART NUMBER
.125 (3003) ALUMINUM ASTM B209	D046E
11 GA. (304) STAINLESS STEEL ASTM A240	D041E

PART NAME		1-1/2" O.D. X .120W TUBE TYPE "E" DRIVE-ON DISK		
MATERIAL		10 GA. HRP&O STEEL ASTM A569		
DATE	6/13/96	 <b>THE WAGNER COMPANIES</b> R & B WAGNER, INC. AND J. G. BRAUN CO.		
DRAWN BY	RJF			
FINISH	MILL	SIZE	WEIGHT	PART NUMBER
		A	.12 LBS	D045E
				REV