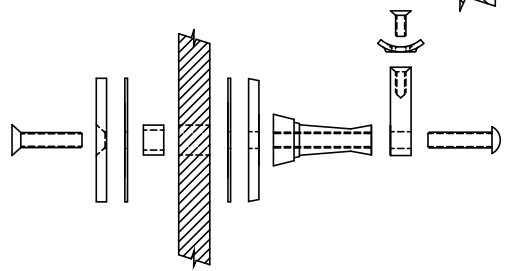
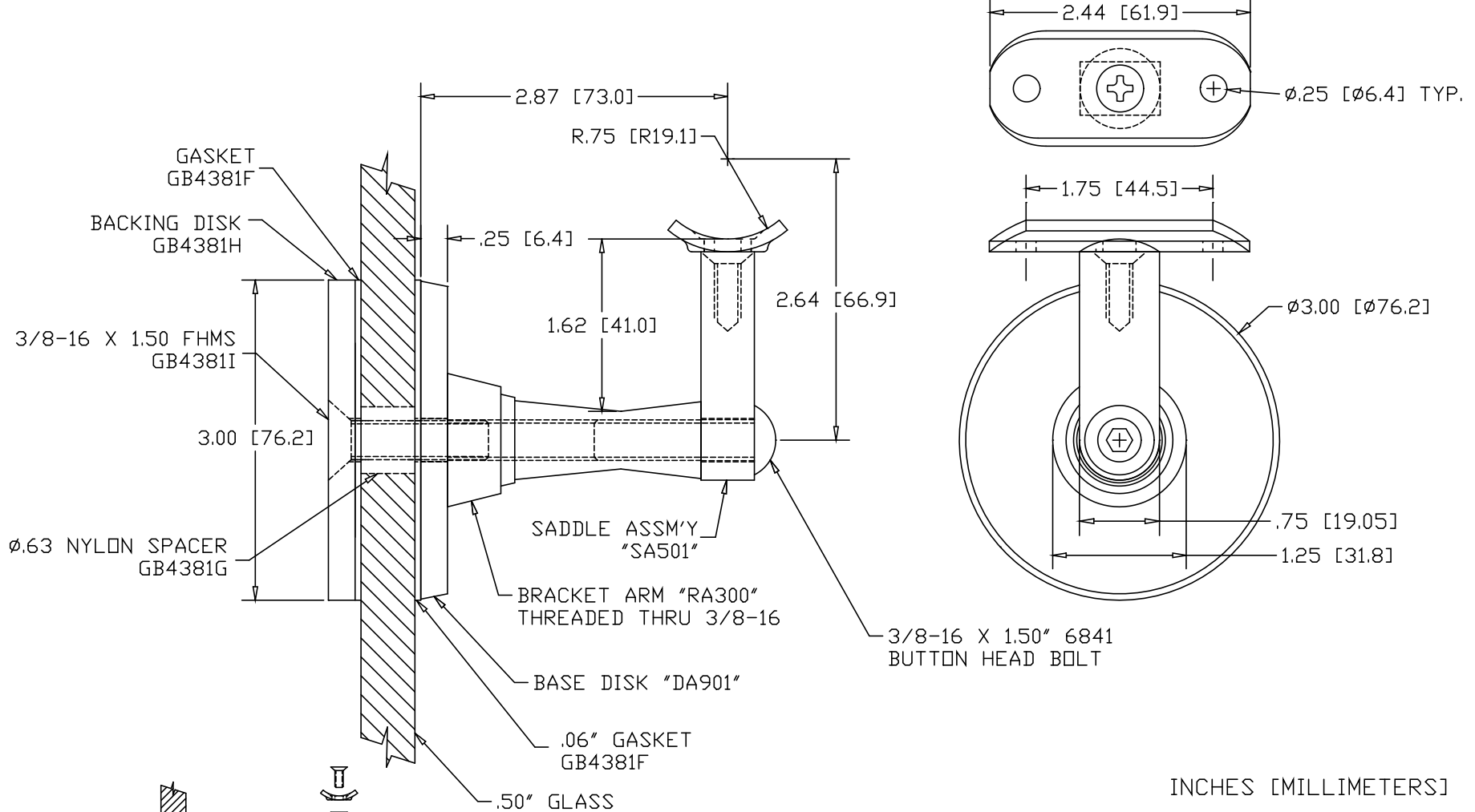


REVISIONS			
REV	DESCRIPTION	DATE	APPROVED
B	BOLT WAS 2.00" LG	04/20/06	RJF



INCHES [MILLIMETERS]

PART NAME		MACHINED BRACKET, GLASS MOUNT		
MATERIAL		6063 ALUMINUM		
DATE	9/15/03		THE WAGNER COMPANIES R & B WAGNER, INC. AND J. G. BRAUN CO.	
DRAWN BY	RJF			
FINISH	#6 SATIN	SIZE	WEIGHT	PART NUMBER
		A		GB2301
				REV B