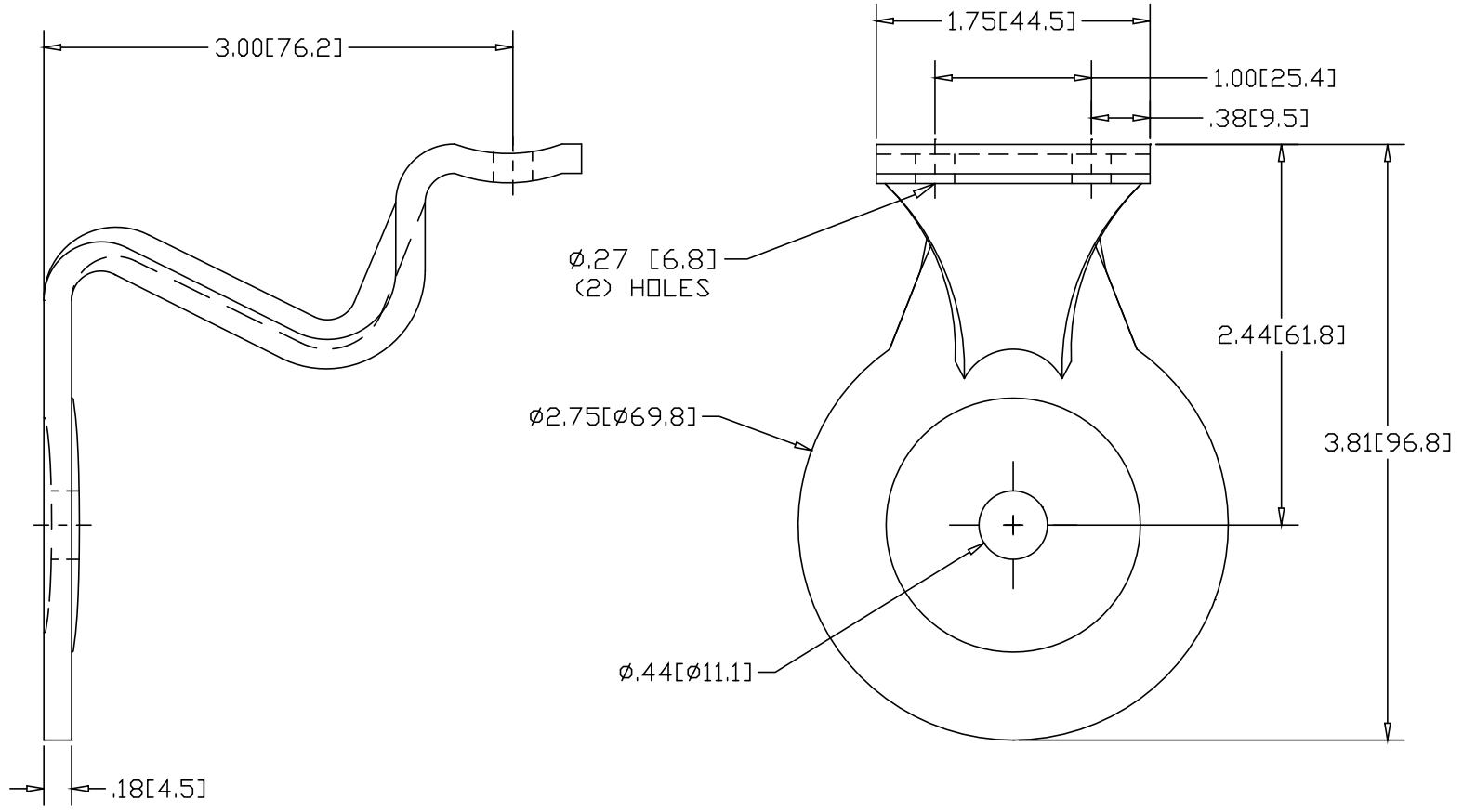



REVISIONS			
REV	DESCRIPTION	DATE	APPROVED



INCHES [MILLIMETERS]

ALTERNATE MATERIAL	PART NO.

PART NAME		3" B-STYLE HANDRAIL BRACKET		
MATERIAL		7 GA. 316 STAINLESS STEEL W/ #4 SATIN		
DATE	2/23/09	 R & B WAGNER, INC.		
DRAWN BY	RDC			
FINISH	MILL	SIZE	WEIGHT	PART NUMBER
		A	.56 LBS	3430.316
				REV