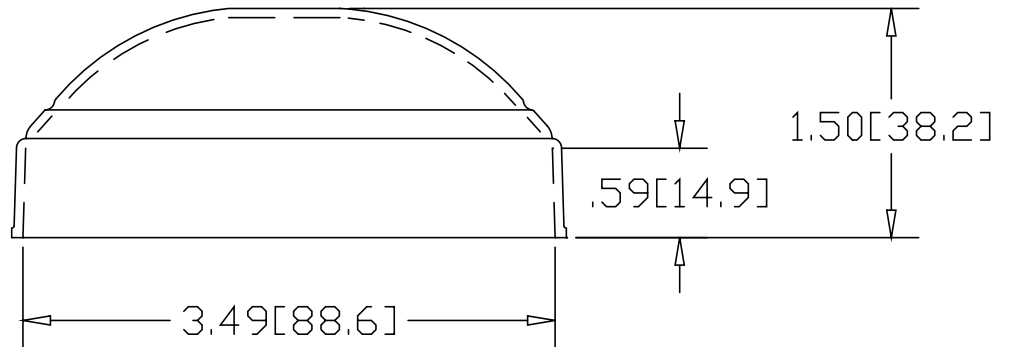
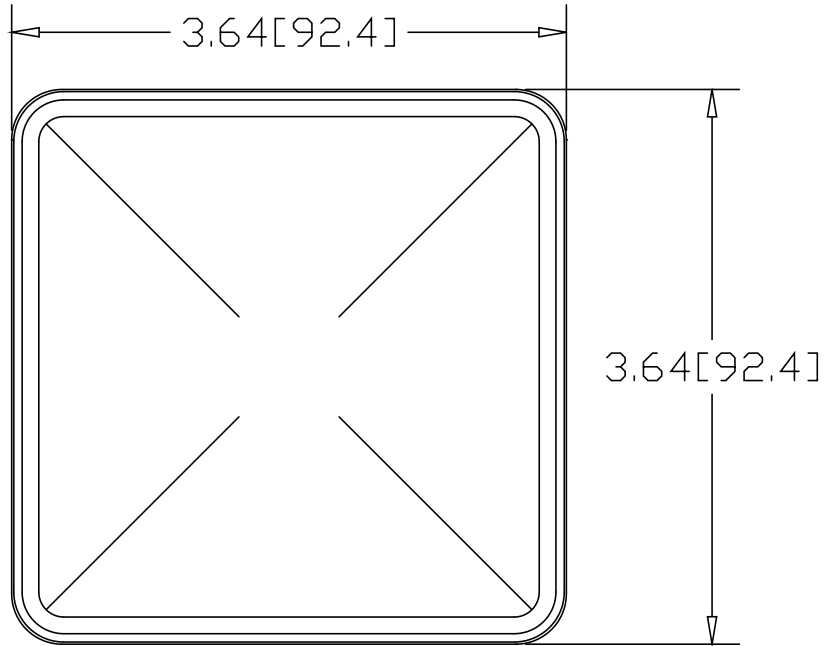



REV
SH
5112
DWG NO

REVISIONS			
REV	DESCRIPTION	DATE	APPROVED



INCHES [MILLIMETERS]

ALTERNATE MATERIAL	PART NUMBER
.050 (3003) ALUMINUM ASTM B209	5113
18 GA. (304) STAINLESS STEEL ASTM A240	5115

PART NAME 3.50" SQUARE NEWEL POST CAP			
MATERIAL 18 GA. STEEL ASTM A-366			
DATE 10/26/93	 THE WAGNER COMPANIES R & B WAGNER, INC. AND J. G. BRAUN CO.		
DRAWN BY RJF			
FINISH MILL		SIZE A	WEIGHT .31 lbs
			REV