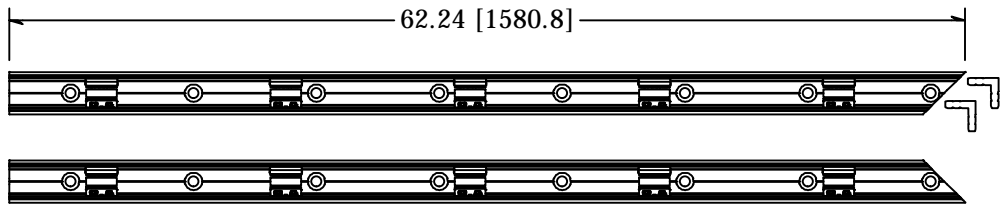
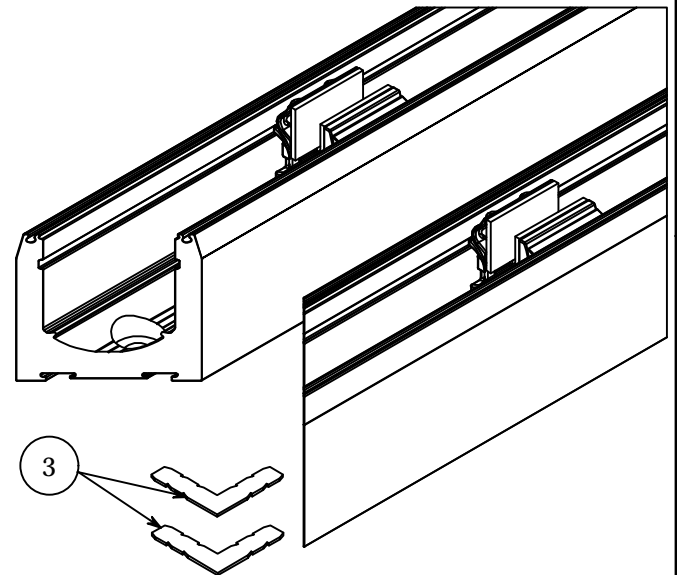


PARTS LIST			
ITEM	QTY	PART NUMBER	DESCRIPTION
1	1	GR2LL5075HCBMKL8	Shoe Moulding, Aluminum, Level lock Plus, For .5 to .75 Glass, 2.75 Wide, 3.75 High, Mitered Corner Left, 5ft length, Hole Counterbored, 8 in on Center, Mill Finish
2	1	GR2LL5075HCBMKR8	Shoe Moulding, Aluminum, Level lock Plus, For .5 to .75 Glass, 2.75 Wide, 3.75 High, Mitered Corner Right, 5ft length, Hole Counterbored, 8 in on Center, Mill Finish
3	1	GR2LLAT090	Level Lock Plus, Shoe Alignment Tabs, 90 Degree Corner, Pack of 4, Aluminum
4	1	GR9LL1250	Shoe Isolator, Level Lock +, HDPE, 0.125 x 0.50 x 2.00, 10 pack
5	1	LL5817	Level Lock Plus, Mechanism 10 Pack, for 5/8" Nominal Glass, .569-.726"



(16) Ø0.63 THRU
 □ Ø1.13



TOLERANCE X.XX +/- 0.01 X.XXX +/- 0.005 Angle +/- 0.5 Unless Otherwise Specified	CUT LENGTH:	FINISH:	DESCRIPTION: Level Lock Plus, Sales kit, for 5/8", 15mm - 17mm glass, 5ft Mitered Corner shoe set, Drilled 8in on Center, W/ Mechanisms	
	DEVELOPED LENGTH:	WEIGHT:	MATERIAL:	MATERIAL DESC:
	5 FT	N/A	DATE: 4/8/2021	REV: 1
	TOOL NUMBER:		DRAWN BY: A. Seeboth	PART NUMBER: LL5817.8KITMK

WAGNER 10600 W Brown Deer Rd
 Milwaukee, WI 53224
 COLLABORATIVE METALWORKS <http://www.wagnercompanies.com/>