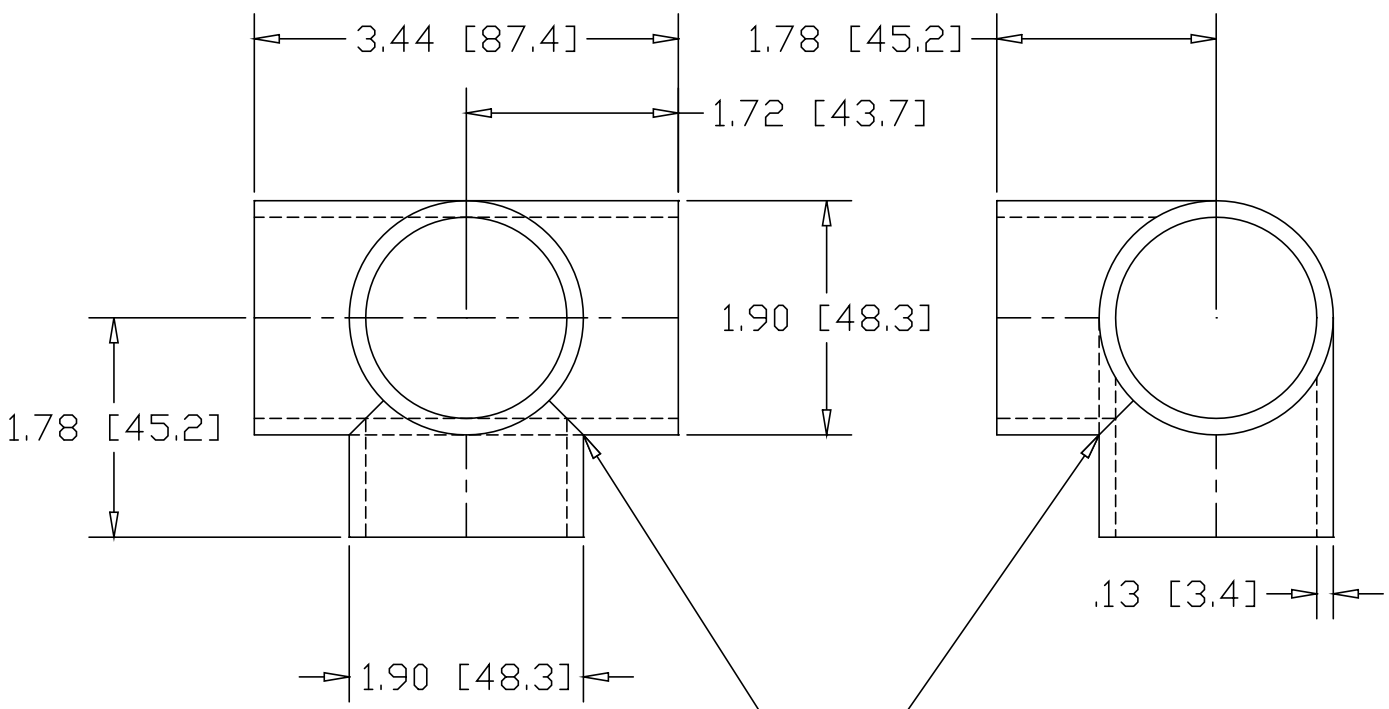



REV  
SH  
871  
DWG NO

REVISIONS			
REV	DESCRIPTION	DATE	APPROVED



(2) STUBS WELDED ALL AROUND

INCHES [MILLIMETERS]

PART NAME 1-1/2" PIPE SIZE FLUSH WELD SIDE OUTLET TEE			
MATERIAL 1-1/2" SCH40 STAINLESS STEEL PIPE			
DATE 11/27/01	 <b>R &amp; B WAGNER, INC.</b>		
DRAWN BY JAH			
FINISH MILL	SIZE A	WEIGHT .47 LBS.	PART NUMBER 871
			REV

