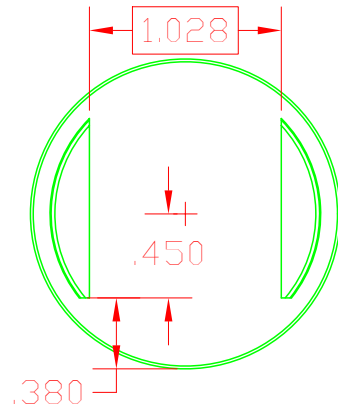
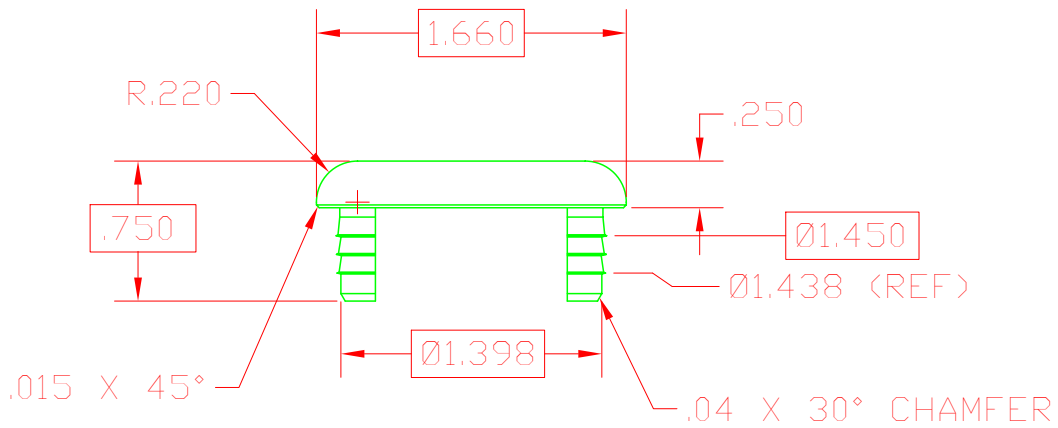

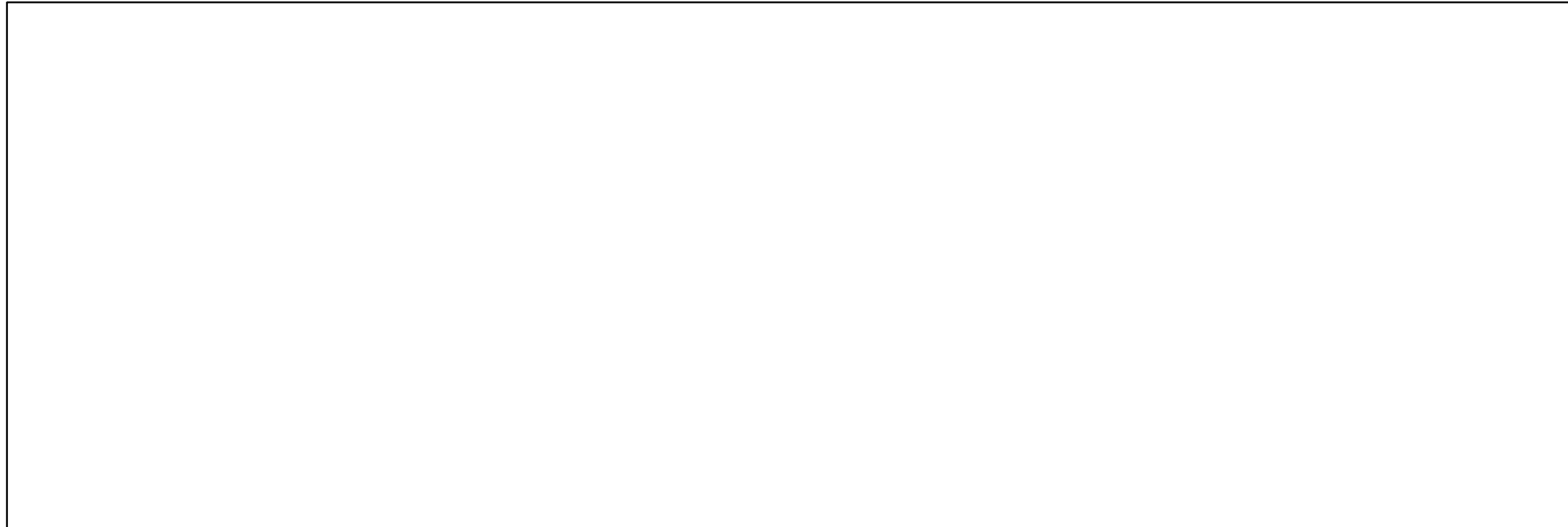


REV 1
SH
DWG NO GR2168EM

REVISIONS			
REV	DESCRIPTION	DATE	APPROVED
1	RELEASED FROM GR2166EM	10/01/10	PWH



PART NAME 1-1/4" ALUM CAPRAIL TYPE-G MACHINED DRIVE-ON CAP			
MATERIAL 6063-T52 ALUMINUM			
DATE 02/19/08	 THE WAGNER COMPANIES R & B WAGNER, INC. AND J. G. BRAUN CO.		
DRAWN BY RJF		SIZE A	WEIGHT .09 LBS
FINISH #4 SATIN			REV 1



REVISIONS		
DESCRIPTION	DATE	APPROVED
ED FROM GR2166EM	10/01/10	PWH

