

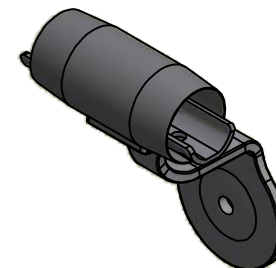
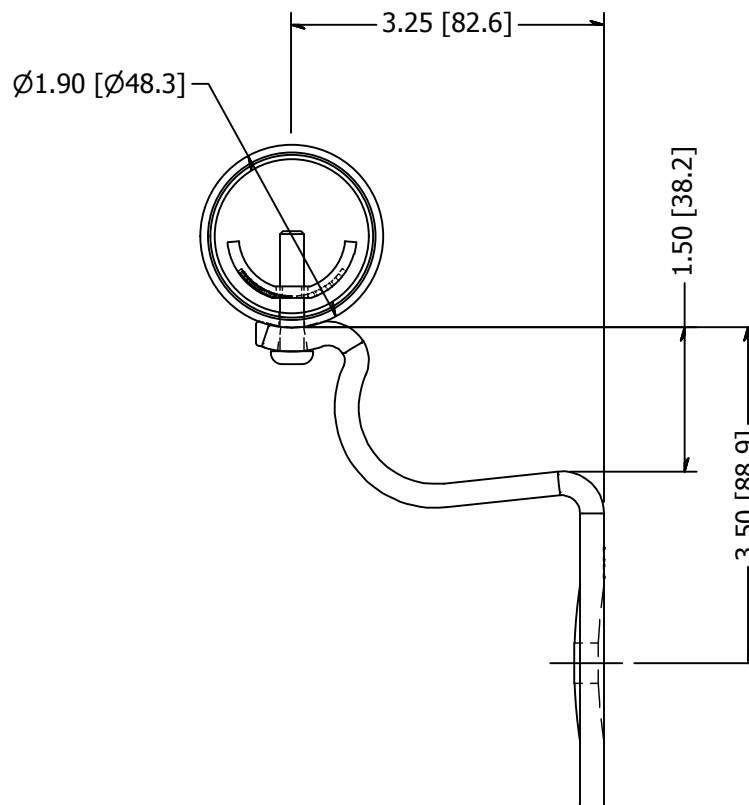
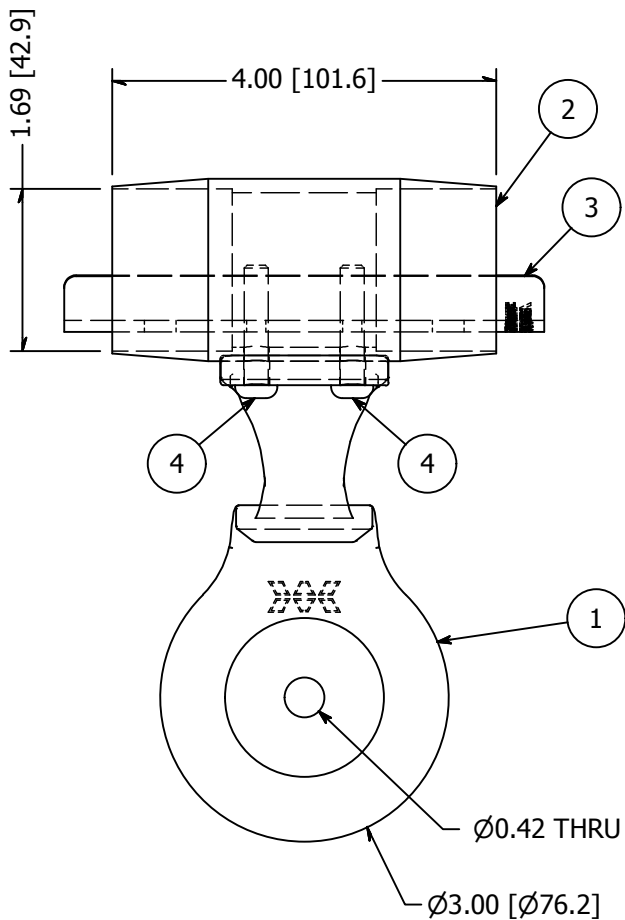
2



1

PARTS LIST

ITEM	QTY	PART NUMBER	DESCRIPTION
1	1	13251R.PL	1/4 Bracket, Stamped, 3-1/4" Wall To Center, 7/16" Mounting Hole, 1-1/2" Drop
2	1	WR1166SFBS.PL	ST PLATED SLIP FIT BARREL FOR 1/4 FORMED BRACKETS
3	1	WR1166SFCS.PL	ST PLATED SLIP FIT CLAMP FOR 1/4 FORMED BRACKETS
4	2	RPH1Z2520-0125	SCREW ST 1/4-20 X 1.25, ROUND PHILLIPS HEAD, ZINC PL



TOLERANCE UNLESS OTHERWISE NOTED, TOLERANCES TO CONFORM TO ES.03.011	MATERIAL: Steel	DESCRIPTION: Handrail Bracket, Steel, Slip-Fit, For 1-1/4 Inch Pipe, 3-1/4 Inch From Wall To Center of Handrail, Plated	
	FINISH: Zinc Plated	DATE: 10/16/2018	REV: -
	WEIGHT: 1.92 lbmass	DRAWN BY: T. Kolbach	ITEM NUMBER: 13251RSF.PL
	10600 W Brown Deer Rd Milwaukee, WI 53224 http://www.wagnercompanies.com/		

2



1