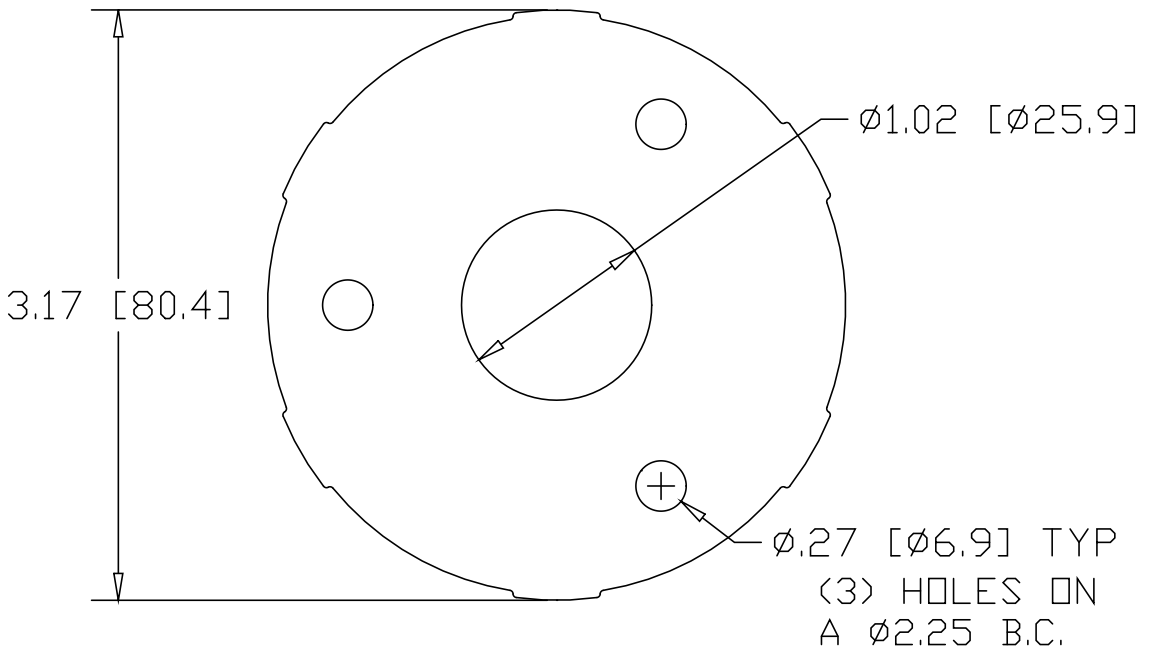


REV
SH
2051B
DWG NO


| REVISIONS | | | |
|-----------|-------------|------|----------|
| REV | DESCRIPTION | DATE | APPROVED |



* USE WITH SNAP-COVER
 #2051 IN STEEL
 #2052 IN ALUMINUM
 #2053 IN STAINLESS
 #2054 IN BRASS

INCHES [MILLIMETERS]

| ALTERNATE MATERIAL | PART NUMBER |
|----------------------------------|-------------|
| .190 (3003) ALUMINUM ASTM B209 | 2052B |
| 7 GA. (304) STAINLESS STEEL A240 | 2053B |
| .18 (260) BRASS B19,B36 | 2054B |

| | | | |
|-----------|---------|---|---------|
| PART NAME | | 1.00" OD TUBE SNAP COVER BASE | |
| MATERIAL | | 7 GA. HRP&O STEEL ASTM A569 | |
| DATE | 8/15/96 |  R & B WAGNER, INC. | |
| DRAWN BY | RJF | | |
| FINISH | MILL | SIZE | A |
| | | WEIGHT | .39 LBS |
| | | PART NUMBER | 2051B |
| | | | REV |