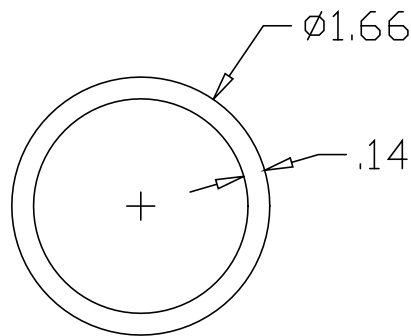
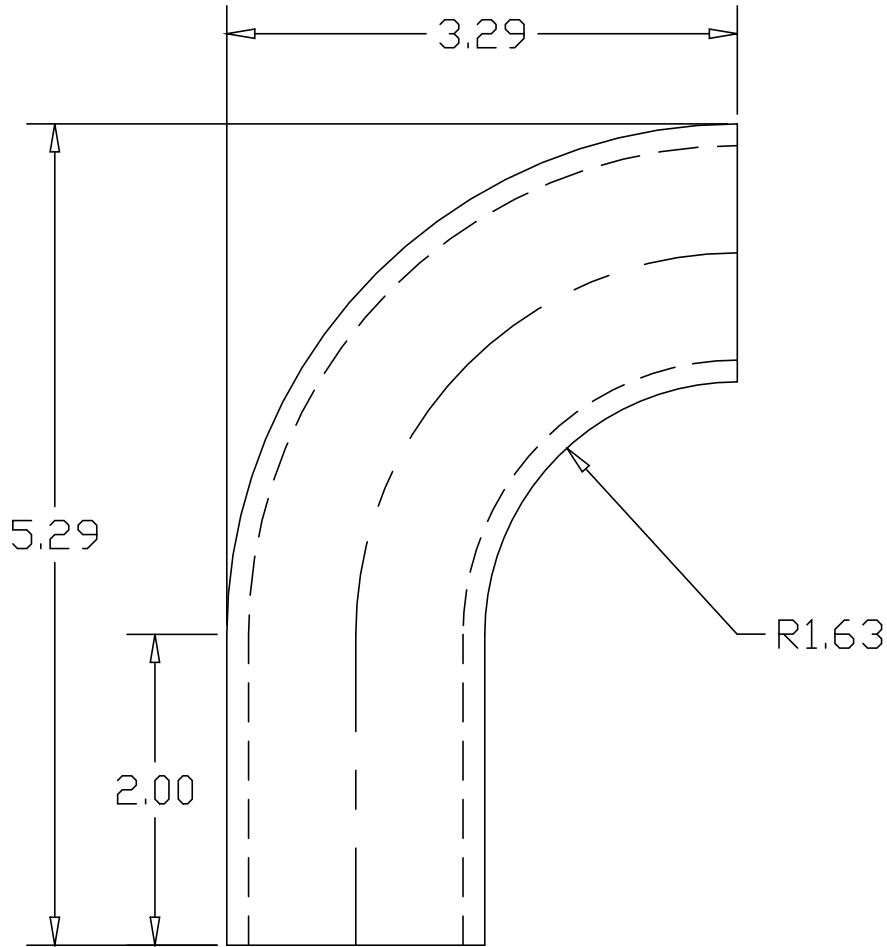



REV
SH
4645
DWG NO

| REVISIONS | | | |
|-----------|-------------|------|----------|
| REV | DESCRIPTION | DATE | APPROVED |



| | | | | | | | |
|-----------|---------|---|--|-------------|------|-----|--|
| PART NAME | | 1-5/8" I.R. PIPE ELL WITH (1) 2" TANGENT | | | | | |
| MATERIAL | | 1-1/4" SCH 40 (6063) ALUMINUM PIPE | | | | | |
| DATE | 12/9/93 |  | THE WAGNER COMPANIES R & B WAGNER, INC. AND J. G. BRAUN CO. | | | | |
| DRAWN BY | RJF | | | | | | |
| FINISH | MILL | | | | | | |
| SIZE | A | WEIGHT | .32 LBS | PART NUMBER | 4645 | REV | |