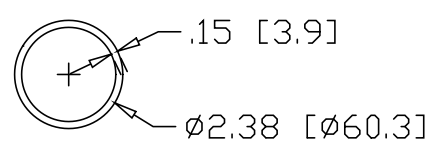
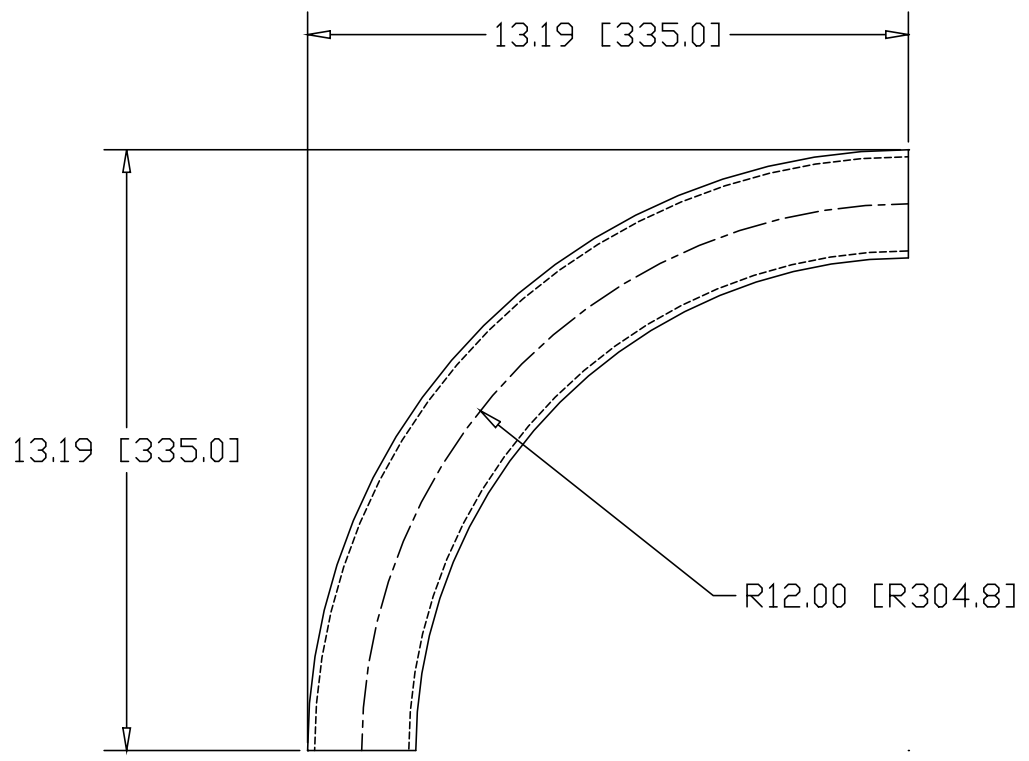



REV
SH
9356
DWG NO

REVISIONS			
REV	DESCRIPTION	DATE	APPROVED



INCHES [MILLIMETERS]

ALTERNATE MATERIAL	PART NUMBER
2" SCH 40 (6063) ALUMINUM PIPE	9370
2" SCH 40 (304) STAINLESS STEEL PIPE	9384

PART NAME		2" PIPE SIZE 90° ELL X 10.81" I.R.					
MATERIAL		2" SCH 40 A53 STEEL PIPE					
DATE	8/16/01	 R & B WAGNER, INC.					
DRAWN BY	JAH						
FINISH	MILL						
SIZE	A	WEIGHT	5.76 LBS	PART NUMBER	9356	REV	