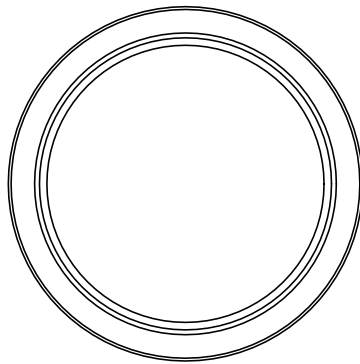
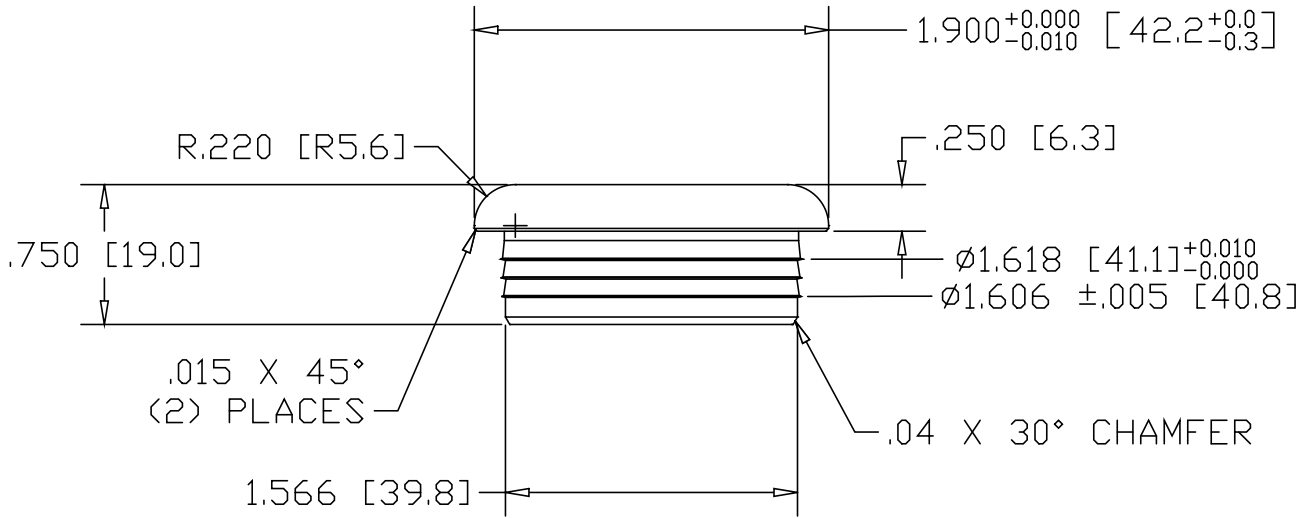



REV
SH
3298
DWG NO

| REVISIONS | | | |
|-----------|-------------|------|----------|
| REV | DESCRIPTION | DATE | APPROVED |



INCHES [MILLIMETERS]

| | | | |
|---|---|--|----------------|
| PART NAME 1-1/2" PIPE SIZE TYPE-G MACHINED DRIVE-ON CAP | | | |
| MATERIAL 6063-T52 ALUMINUM | | | |
| DATE 04/20/05 |  | THE WAGNER COMPANIES | |
| DRAWN BY RJF | | R & B WAGNER, INC. AND J. G. BRAUN CO. | |
| FINISH MILL | | SIZE A | WEIGHT .17 LBS |
| | | | REV |