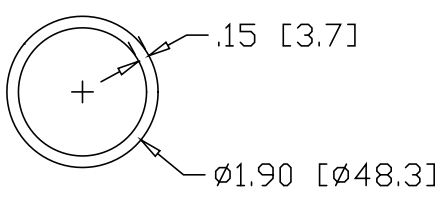
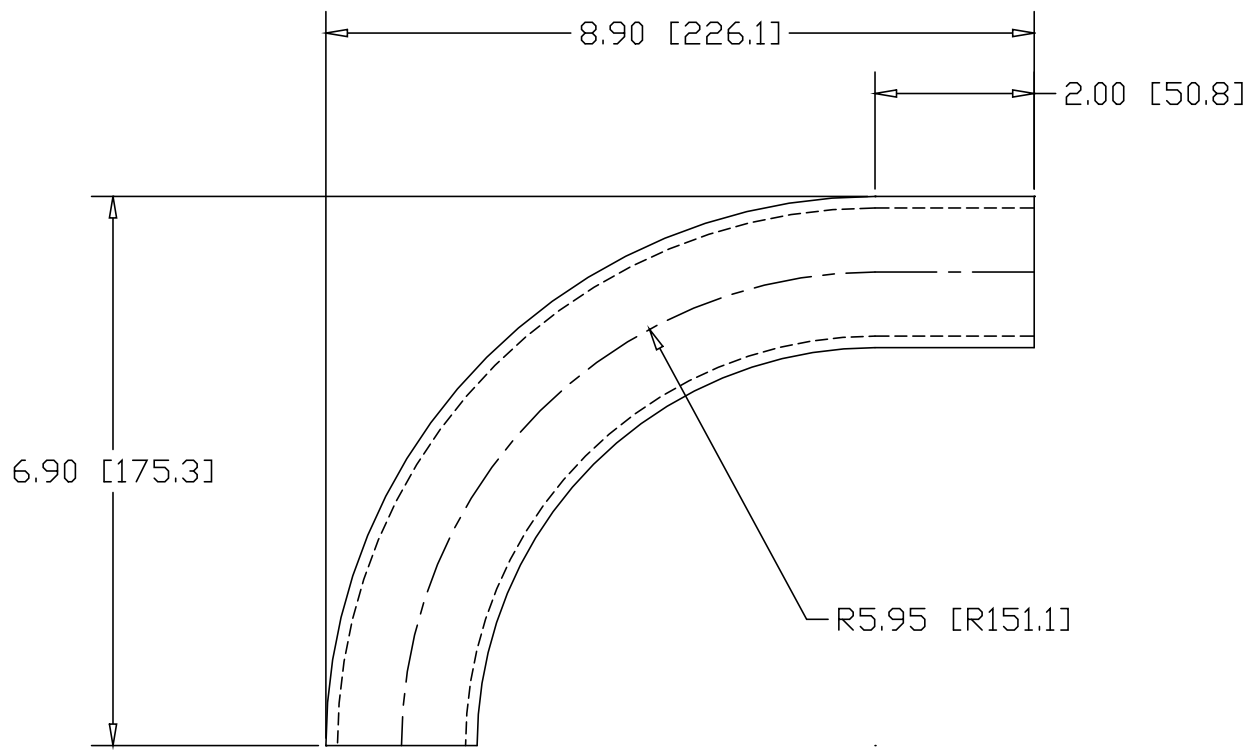



REV
SH
7128
DWG NO

REVISIONS			
REV	DESCRIPTION	DATE	APPROVED



INCHES [MILLIMETERS]

ALTERNATE MATERIAL	PART NUMBER
1-1/2" SCH 40 (6063) ALUMINUM PIPE	7148
1-1/2" SCH 40 (304) STAINLESS STEEL PIPE	7168

PART NAME 1-1/2" PIPE SIZE 90° ELL X 5" I.R. W/ (1) 2" TANGENT			
MATERIAL 1-1/2" SCH 40 A53 STEEL PIPE			
DATE 7/03/01		R & B WAGNER, INC.	
DRAWN BY JAH		PART NUMBER	7128
FINISH MILL		SIZE A	WEIGHT 2.57 LBS