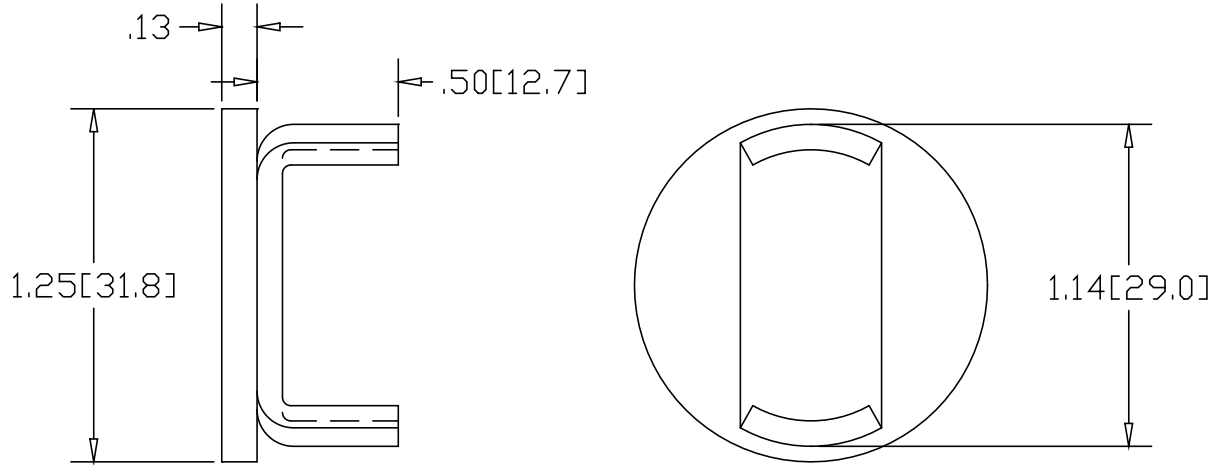



REV  
SH  
DWG NO D015E.5

REVISIONS			
REV	DESCRIPTION	DATE	APPROVED



INCHES [MILLIMETERS]

ALTERNATE MATERIAL	PART NUMBER
.125 (3003) ALUMINUM ASTM B209	D016E.5
10 GA. (304) STAINLESS STEEL ASTM A240	D017E.5

PART NAME				1-1/4" O.D. X .065W TUBE TYPE "E" DRIVE-ON DISK			
MATERIAL				10 GA. HRP&□ STEEL ASTM A569			
DATE		6/13/96		 <b>THE WAGNER COMPANIES</b> R & B WAGNER, INC. AND J. G. BRAUN CO.			
DRAWN BY		RJF					
FINISH		MILL					
SIZE	WEIGHT	PART NUMBER	REV				
A	.07 LBS	D015E.5					