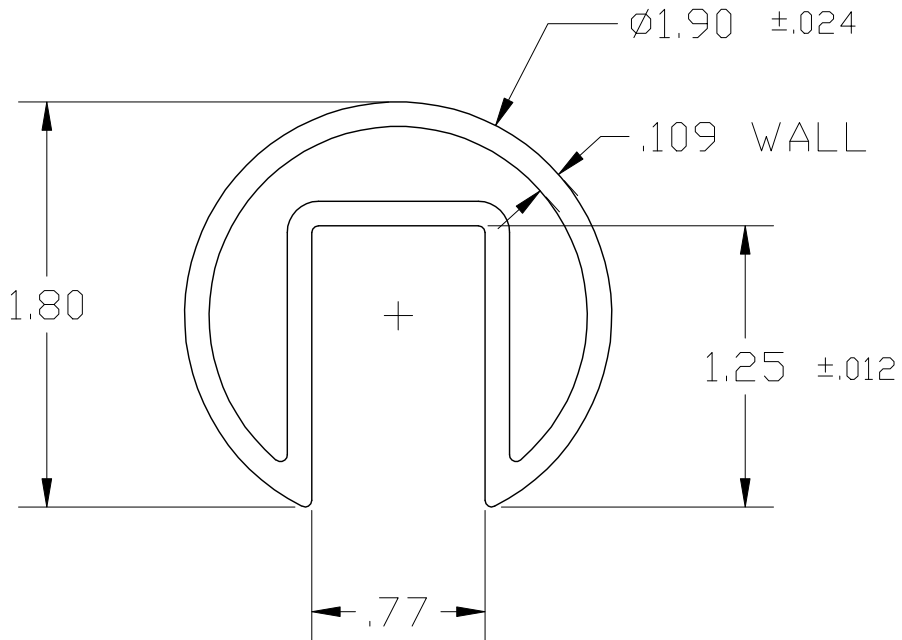



REVISIONS			
REV	DESCRIPTION	DATE	APPROVED

REV
SH
DWG NO GR2190.4AN



± .010 AT OUTER TIP
±.018 AT INNER BASE

PART NAME		1-1/2" PIPE SIZE EXTRUDED CAP RAIL			
MATERIAL		6063 ALUMINUM			
DATE	02/23/05	 THE WAGNER COMPANIES R & B WAGNER, INC. AND J. G. BRAUN CO.			
DRAWN BY	RJF				
FINISH	CLEAR SATIN ANOD 204R1	SIZE	WEIGHT	PART NUMBER	REV
		A		GR2190.4AN	