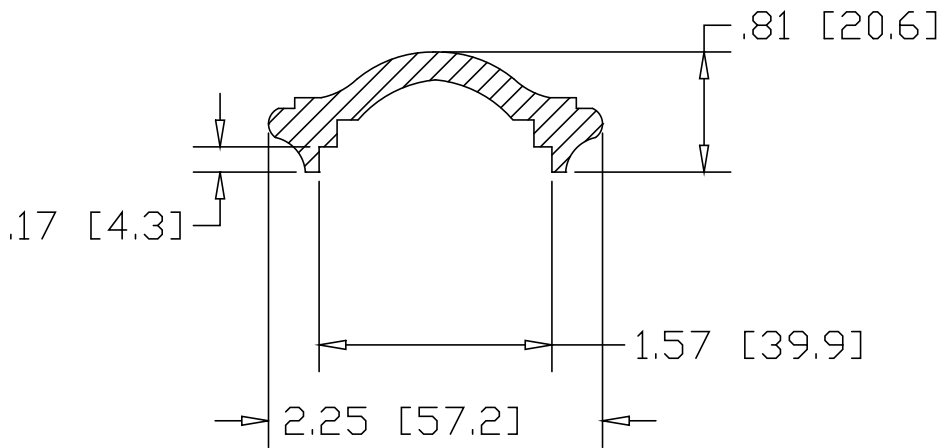
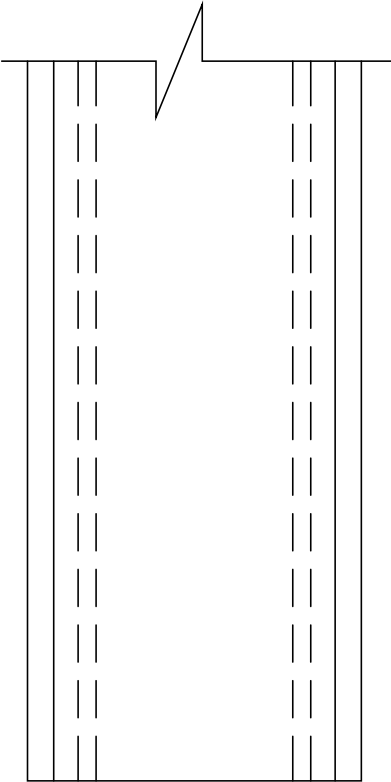



REV  
SH  
H1244  
DWG NO

REVISIONS			
REV	DESCRIPTION	DATE	APPROVED



INCHES MILLIMETERS

PART NAME		STEEL HANDRAIL		
MATERIAL		HOT ROLLED 1010 STEEL		
DATE	12/12/03	 <b>THE WAGNER COMPANIES</b> R & B WAGNER, INC. AND J. G. BRAUN CO.		
DRAWN BY	RJF			
FINISH	MILL			
SIZE	A	WEIGHT	PART NUMBER	REV
			H1244	