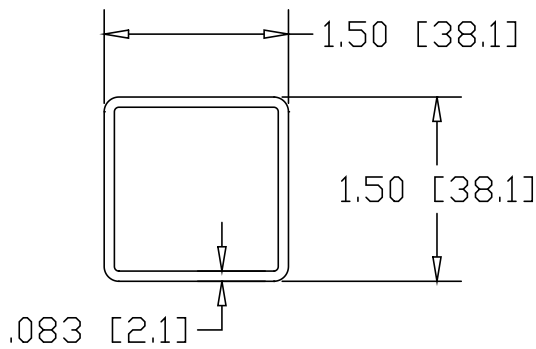
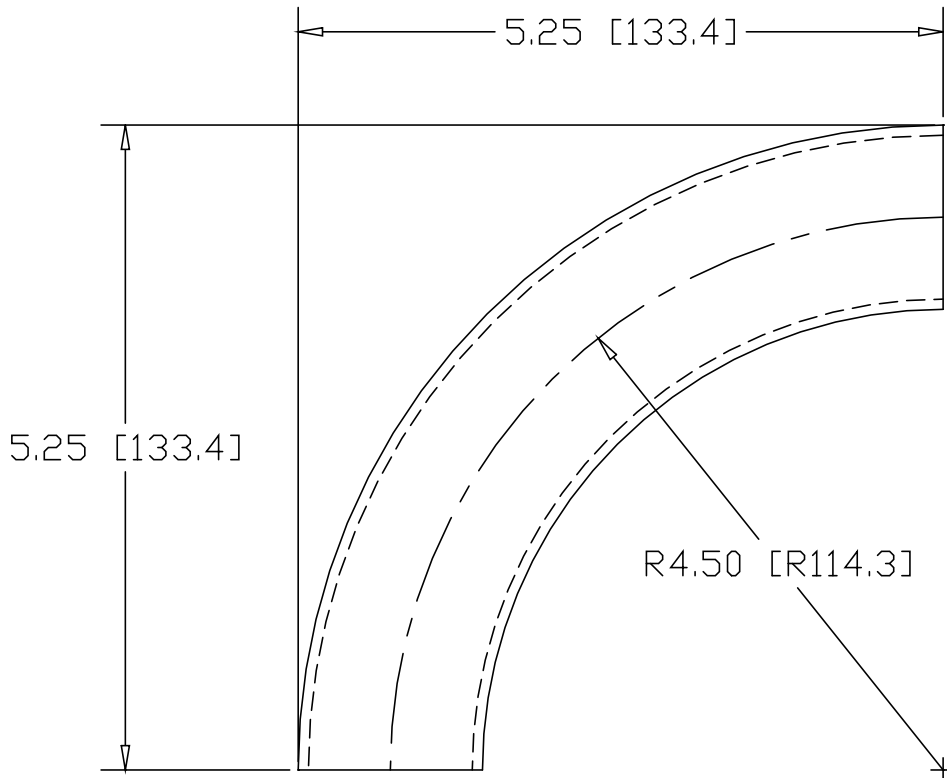



REV
SH
6366
DWG NO

REVISIONS			
REV	DESCRIPTION	DATE	APPROVED



INCHES [MILLIMETERS]

PART NAME		1.50" SQUARE STEEL 90° X 4.50" CLR ELL		
MATERIAL		1.50" X .083W SQUARE STEEL TUBE		
DATE	10/3/00	 THE WAGNER COMPANIES R & B WAGNER, INC. AND J. G. BRAUN CO.		
DRAWN BY	RJF			
FINISH	MILL			
SIZE	WEIGHT	PART NUMBER	REV	
A	.95 LBS	6366		