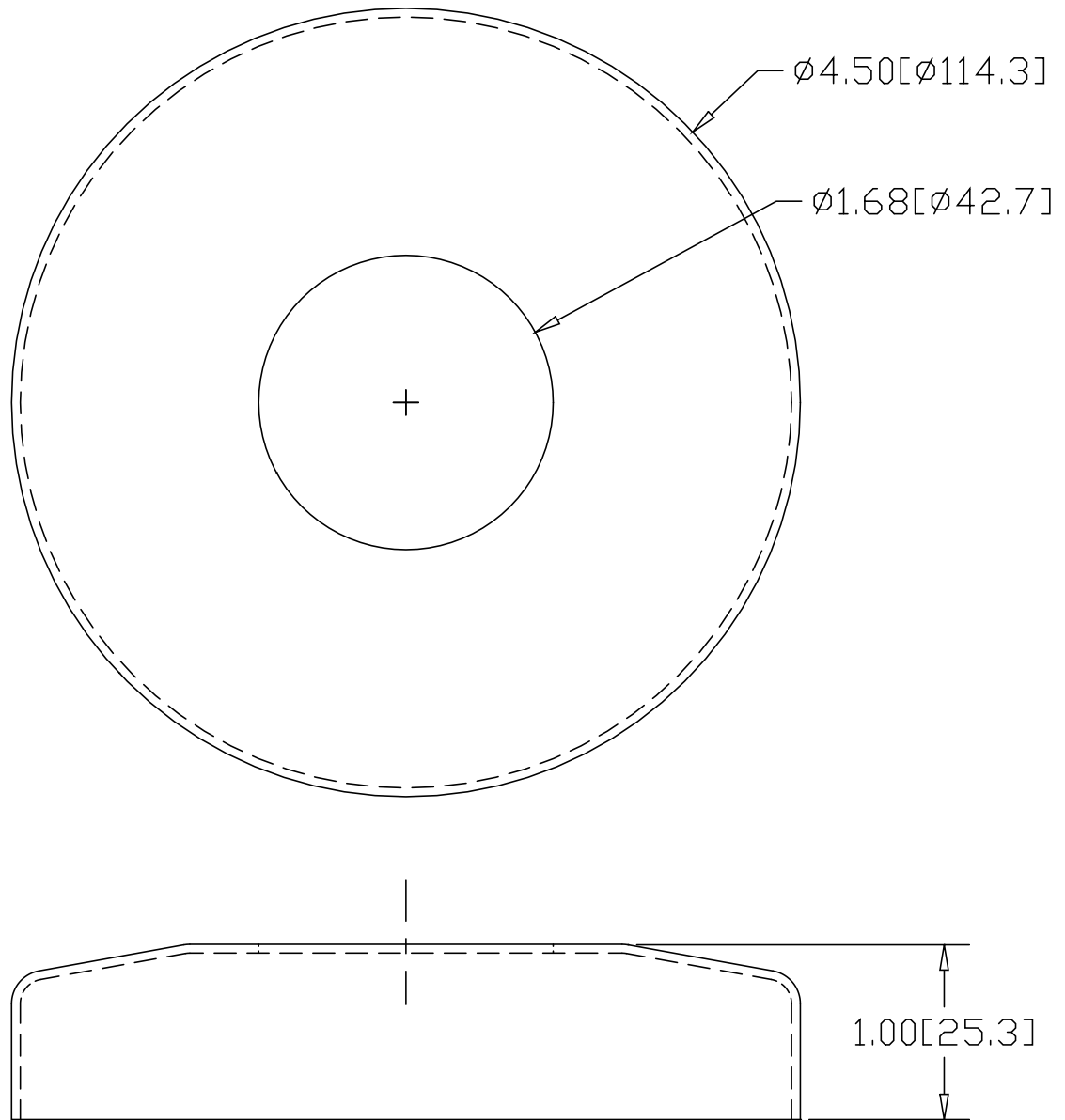


REV
SH
2065
DWG NO


REVISIONS			
REV	DESCRIPTION	DATE	APPROVED



INCHES [MILLIMETERS]

* USE WITH BASE
 #2065B IN STEEL
 #2066B IN ALUMINUM
 #2067B IN STAINLESS
 #2068B IN BRASS

ALTERNATE MATERIAL	PART NUMBER
.063 (3003) ALUMINUM ASTM B209	2066
18 GA. (304) STAINLESS STEEL A240	2067
.050 (280) MUNTZ METAL	2068

PART NAME				1-1/4" PIPE SNAP COVER			
MATERIAL				18 GA. CR STEEL ASTM A366			
DATE		4/3/97				R & B WAGNER, INC.	
DRAWN BY		RJF					
FINISH		MILL		SIZE	WEIGHT	PART NUMBER	REV
				A	.29 LBS	2065	