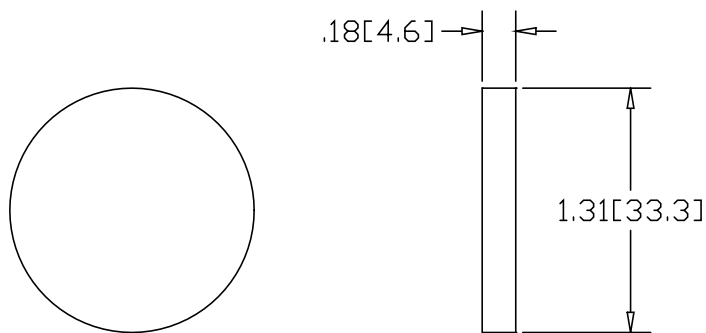
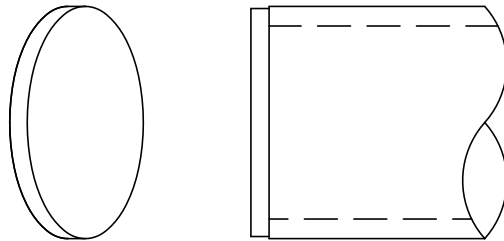



REV
SH
DWG NO 3227

REVISIONS			
REV	DESCRIPTION	DATE	APPROVED



INCHES [MILLIMETERS]

ALTERNATE MATERIAL	PART NUMBER
.190 (3003) ALUMINUM ASTM B209	3247
7 GA (304) STAINLESS STEEL ASTM A240	3267
.188 (260) BRASS ASTM B19,B36	D034

PART NAME		1" PIPE SIZE TYPE-D WELD-ON DISK	
MATERIAL		7 GA. HRP&D STEEL ASTM A569	
DATE	10/11/96	 THE WAGNER COMPANIES R & B WAGNER, INC. AND J. G. BRAUN CO.	
DRAWN BY	RJF		
FINISH	MILL		
SIZE	WEIGHT	PART NUMBER	REV
A	.06 LBS	3227	