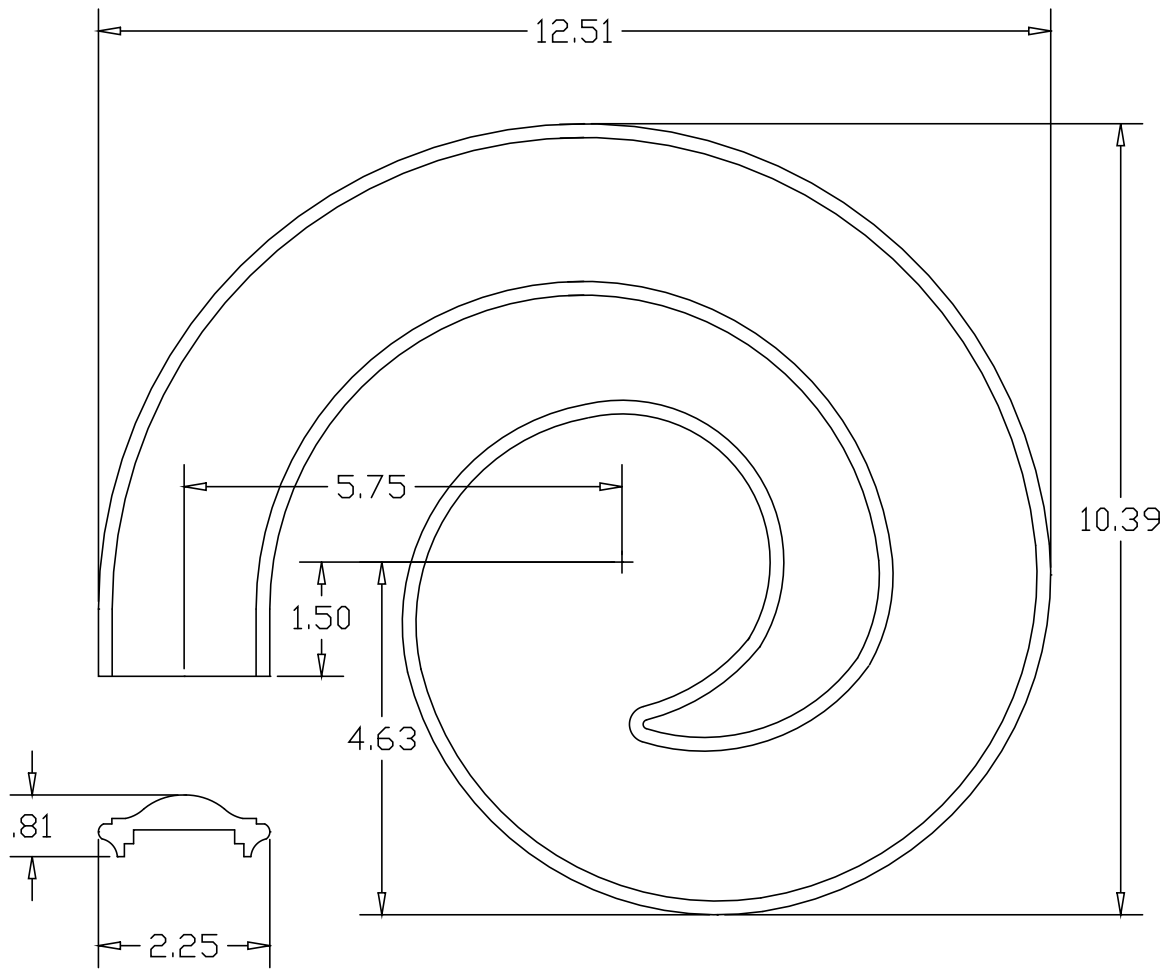



REV
SH
DWG NO H5853AL

REVISIONS			
REV	DESCRIPTION	DATE	APPROVED



PART NAME		SENIOR LATERAL SCROLL, LEFT HAND					
MATERIAL		85-3/5 ALLOY BRONZE					
DATE	12/17/03	 THE WAGNER COMPANIES R & B WAGNER, INC. AND J. G. BRAUN CO.					
DRAWN BY	RJF						
FINISH	SATIN						
SIZE	A	WEIGHT	9.68 LBS	PART NUMBER	H5853AL	REV	