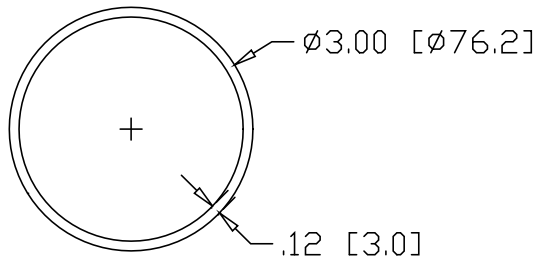
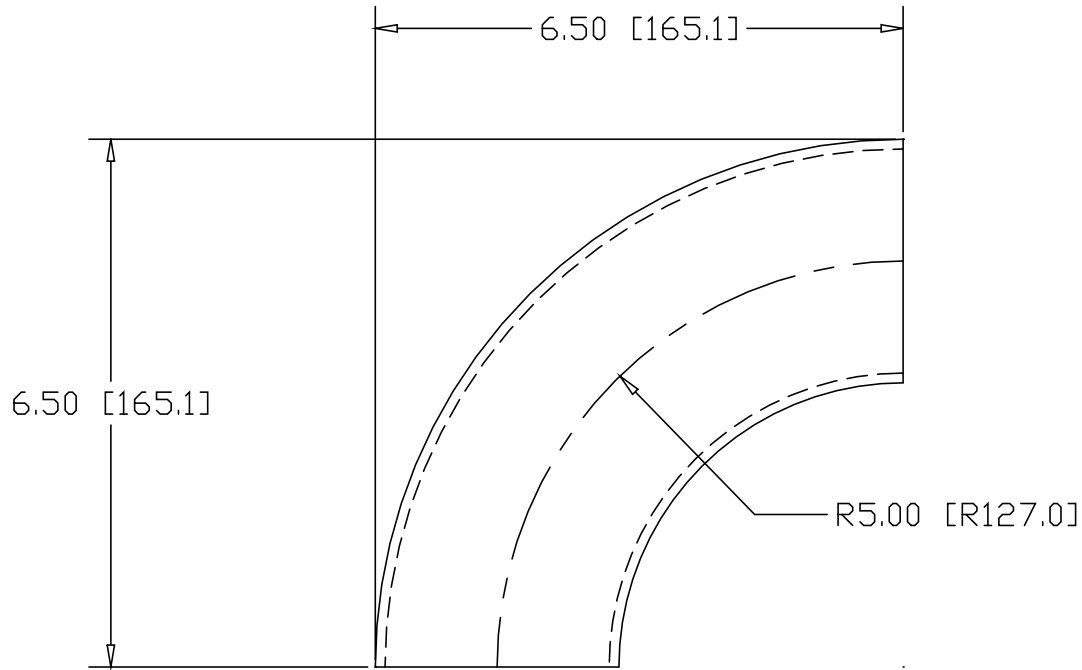



REV
SH
9620
DWG NO

REVISIONS			
REV	DESCRIPTION	DATE	APPROVED



INCHES [MILLIMETERS]

ALTERNATE MATERIAL	PART NUMBER
3.00" OD X .125W 6061 ALUMINUM TUBE	9623

PART NAME		3.00" OD TUBE SIZE 90° ELL X 5" CLR					
MATERIAL		3.00" OD X .120W STEEL TUBE					
DATE	9/2/03	 THE WAGNER COMPANIES R & B WAGNER, INC. AND J. G. BRAUN CO.					
DRAWN BY	RJF						
FINISH	MILL						
SIZE	A	WEIGHT	2.42 LBS	PART NUMBER	9620	REV	