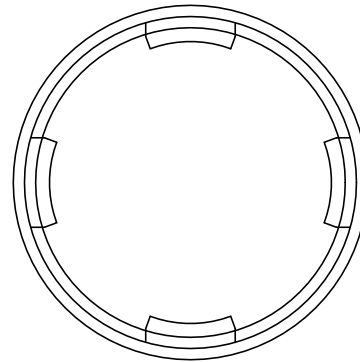
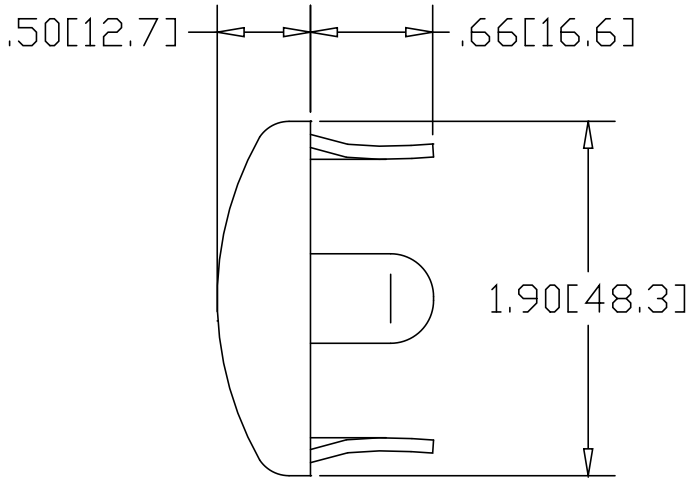
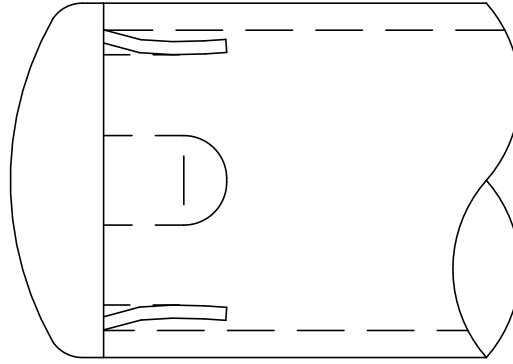
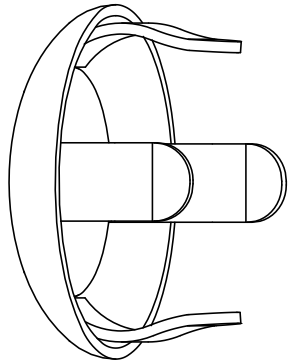



REV  
SH  
DWG NO 3212-H

REVISIONS			
REV	DESCRIPTION	DATE	APPROVED



INCHES [MILLIMETERS]

ALTERNATE MATERIAL	PART NUMBER
.063 (3003) ALUMINUM ASTM B-209	3212-AH
16 GA. (304) STAINLESS STEEL ASTM A240	3212-SS

PART NAME 1-1/2" SCH 40 PIPE TYPE "H" DRIVE-ON END CAP				
MATERIAL 16 GA. HRP&D STEEL ASTM A-569				
DATE 3/28/95	 <b>THE WAGNER COMPANIES</b> R & B WAGNER, INC. AND J. G. BRAUN CO.			
DRAWN BY RJF		SIZE A	WEIGHT .13 LBS	PART NUMBER 3212-H
FINISH MILL				REV