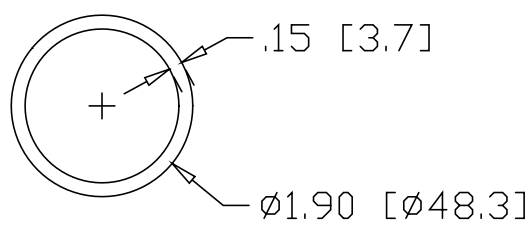
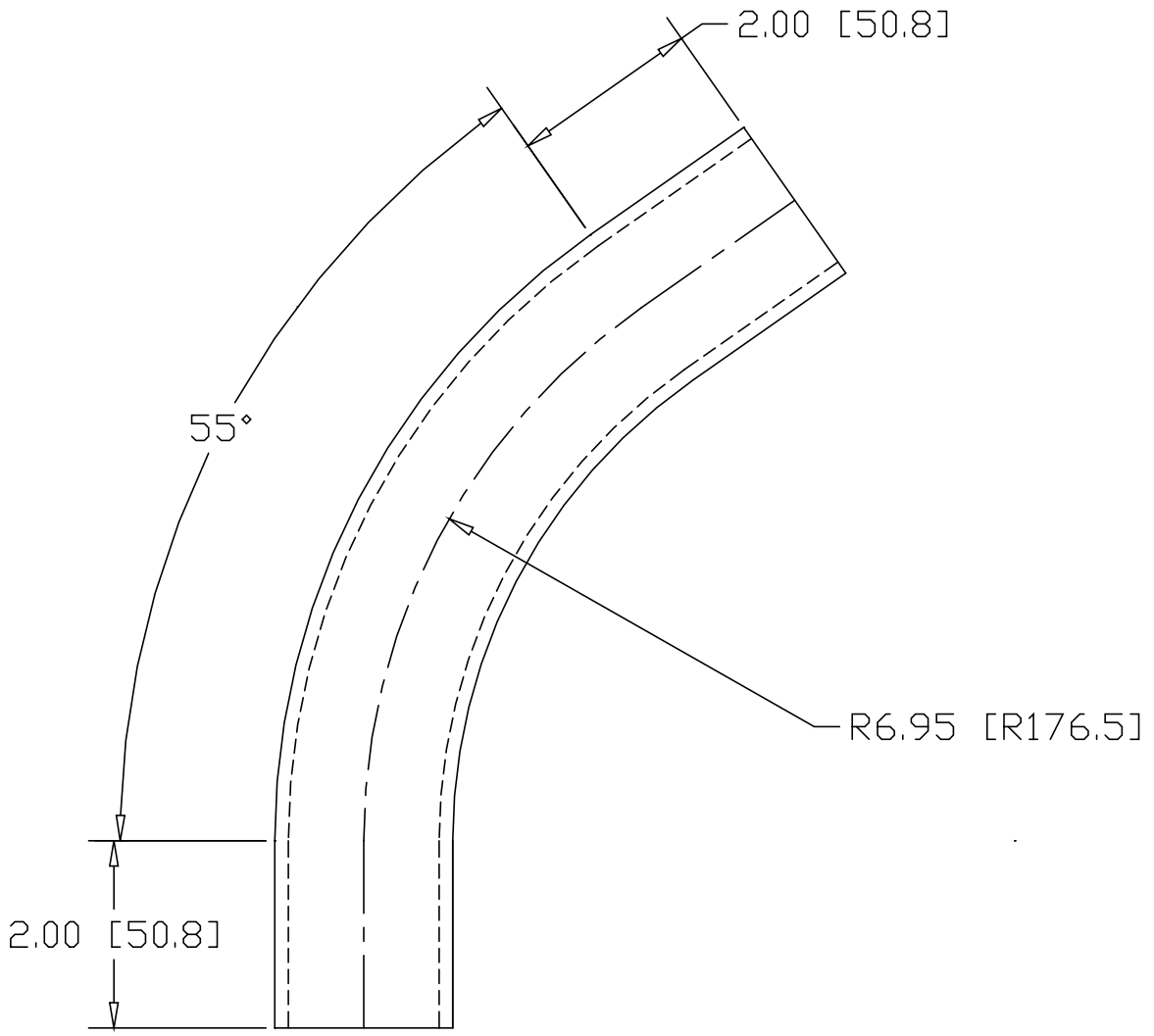



REV
SH
7526
DWG NO

REVISIONS			
REV	DESCRIPTION	DATE	APPROVED



INCHES [MILLIMETERS]

PART NAME 1-1/2" PIPE SIZE 55° ELL X 6" I.R. W/ (2) 2" TANGENTS			
MATERIAL 1-1/2" SCH 40 A53 STEEL PIPE			
DATE	7/05/01	 THE WAGNER COMPANIES R & B WAGNER, INC. AND J. G. BRAUN CO.	REV
DRAWN BY	JAH		
FINISH	MILL		
SIZE	A	WEIGHT	2.42 LBS
PART NUMBER		7526	