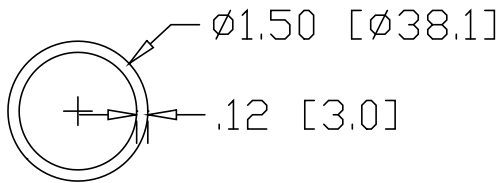
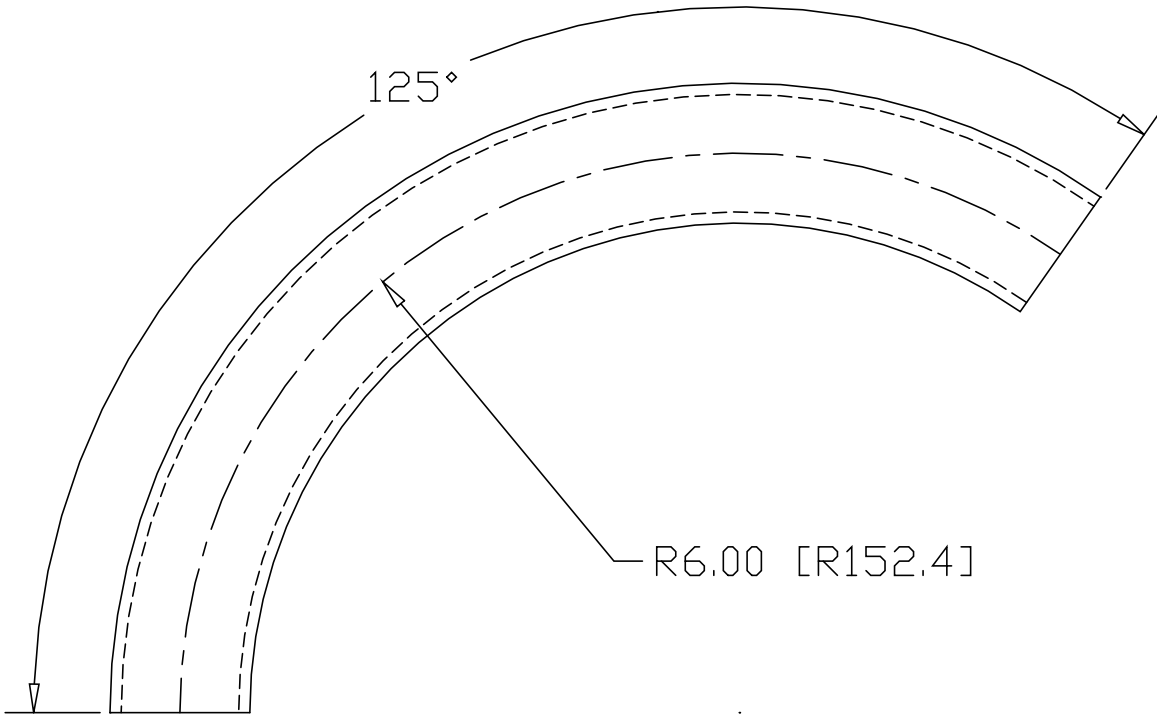



REV  
SH  
6959-6  
DWG NO

REVISIONS			
REV	DESCRIPTION	DATE	APPROVED



INCHES [MILLIMETERS]

PART NAME		1.50" O.D. TUBE 125° ELL X 6.00" CLR			
MATERIAL		1.50" O.D. X .120W STEEL TUBE			
DATE	9/22/00	 <b>THE WAGNER COMPANIES</b> R & B WAGNER, INC. AND J. G. BRAUN CO.			
DRAWN BY	RJF				
FINISH	MILL				
SIZE	A	WEIGHT	1.93 LBS	PART NUMBER	6959-6
				REV	