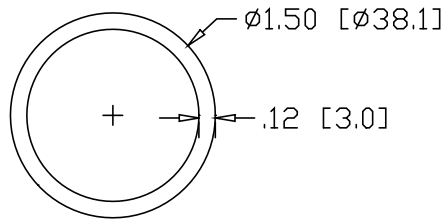
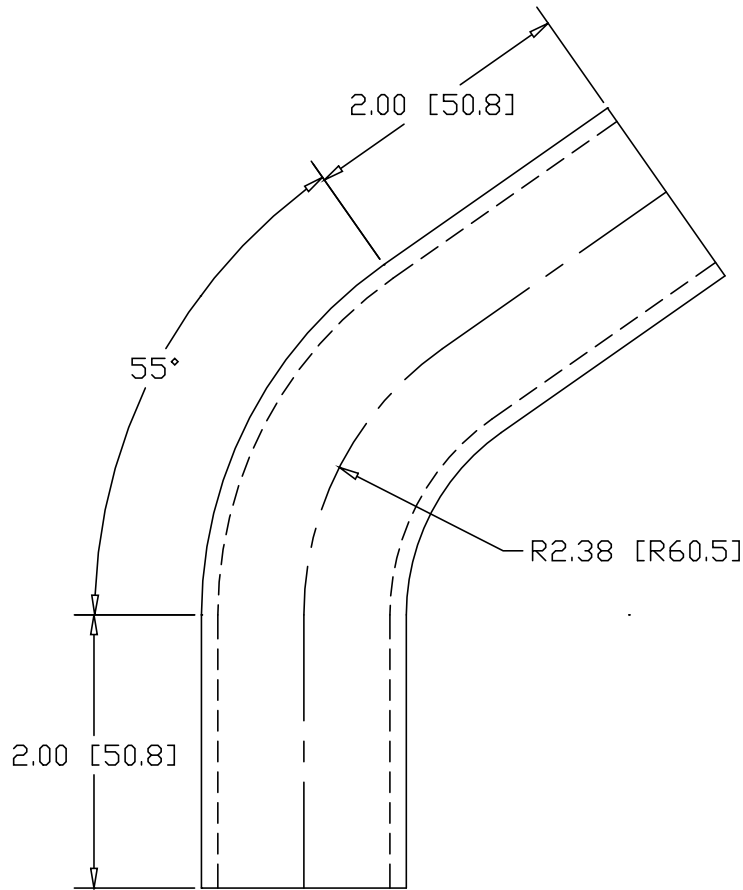



REV  
SH  
6905  
DWG NO

REVISIONS			
REV	DESCRIPTION	DATE	APPROVED



INCHES [MILLIMETERS]

ALTERNATE MATERIAL	PART NUMBER
1.50" O.D. X .125W (6061-T1) ALUMINUM TUBE	6921
1.50" O.D. X .120W (304) STAINLESS STEEL TUBE	6937

PART NAME 1.50" O.D. TUBE 55° ELL X 2.38" CLR W/(2) 2" TANGENTS			
MATERIAL 1.50" O.D. X .120W STEEL TUBE			
DATE 9/12/00		R & B WAGNER, INC.	
DRAWN BY RJF		SIZE A	WEIGHT .93 LBS
FINISH MILL		PART NUMBER 6905	REV