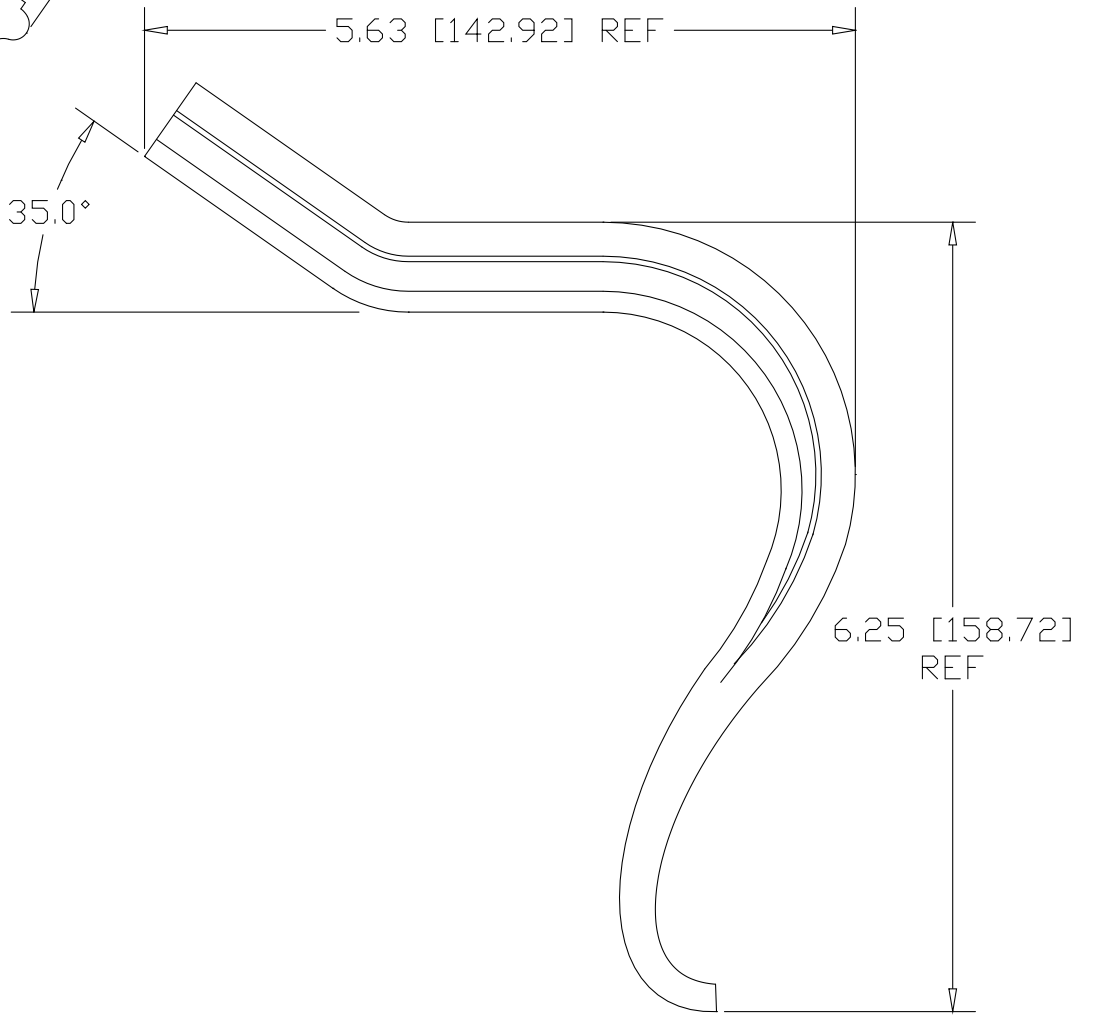
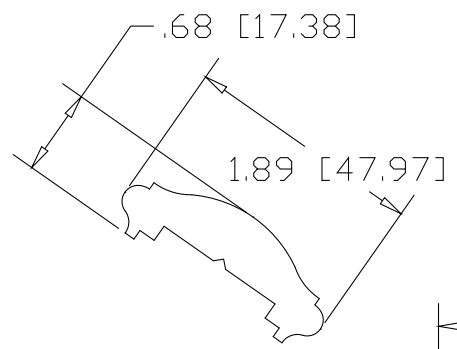



REV  
SH  
H5848H  
DWG NO

| REVISIONS |             |      |          |
|-----------|-------------|------|----------|
| REV       | DESCRIPTION | DATE | APPROVED |



INCHES [MILLIMETERS]

|   |   |   |                    |
|---|---|---|--------------------|
| PART NAME LAMB'S TONGUE BEVELED TERMINAL END FOR H5848 OR H5813 |   |   |                    |
| MATERIAL 85-3/5 ALLOY BRONZE                                    |   |   |                    |
| DATE 7/10/03  |  | <b>THE WAGNER COMPANIES</b><br>R & B WAGNER, INC. AND J. G. BRAUN CO. |                    |
| DRAWN BY RJF  |   |   |                    |
| FINISH SATIN  | SIZE A  | WEIGHT 2.24 LBS   | PART NUMBER H5848H |
|   |   |   | REV                |