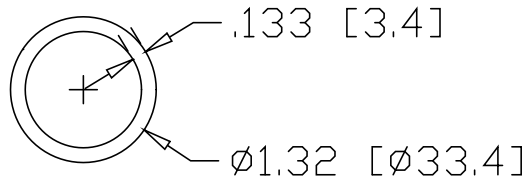
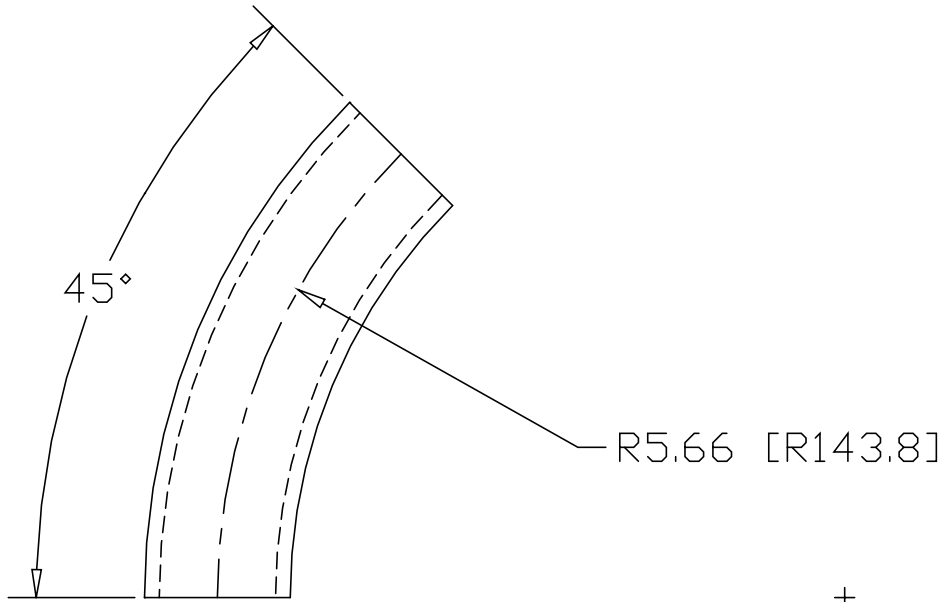



REV
SH
7003
DWG NO

REVISIONS			
REV	DESCRIPTION	DATE	APPROVED



INCHES [MILLIMETERS]

ALTERNATE MATERIAL	PART NUMBER
1" SCH 40 (6063) ALUMINUM PIPE	7023
1" SCH 40 (304) STAINLESS STEEL PIPE	7043

PART NAME		1" PIPE SIZE 45° ELL X 5" I.R.		
MATERIAL		1" SCH 40 A53 STEEL PIPE		
DATE	4/30/96	 R & B WAGNER, INC.		
DRAWN BY	RJF			
FINISH	MILL	SIZE	WEIGHT	PART NUMBER
		A	.61 LBS	7003
				REV