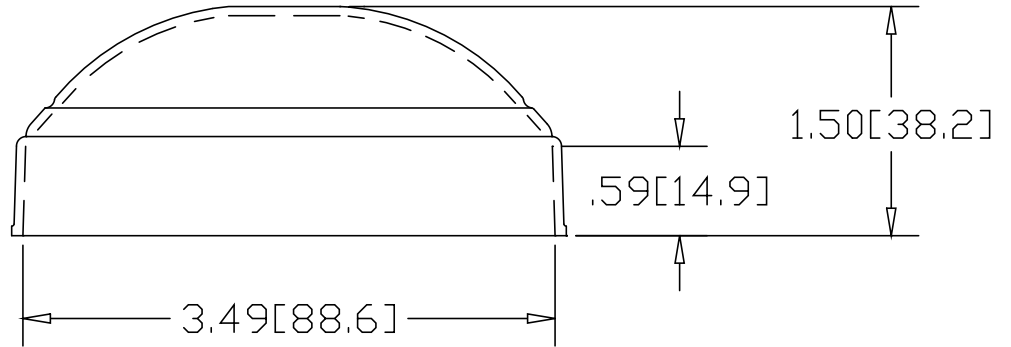
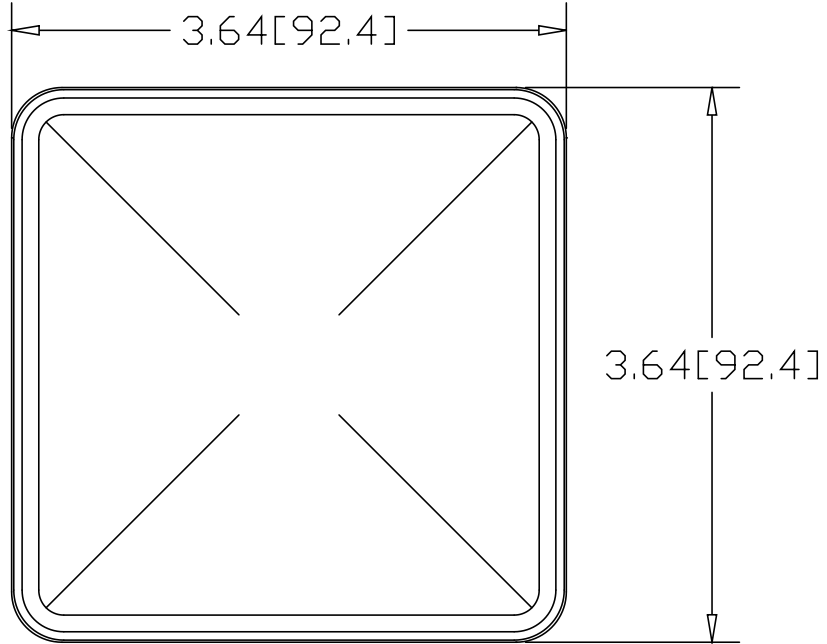



REV  
SH  
5112  
DWG NO

REVISIONS			
REV	DESCRIPTION	DATE	APPROVED



INCHES [MILLIMETERS]

ALTERNATE MATERIAL	PART NUMBER
.050 (3003) ALUMINUM ASTM B209	5113
18 GA. (304) STAINLESS STEEL ASTM A240	5115

PART NAME		3.50" SQUARE NEWEL POST CAP					
MATERIAL		18 GA. STEEL ASTM A-366					
DATE	10/26/93	 <b>THE WAGNER COMPANIES</b> R & B WAGNER, INC. AND J. G. BRAUN CO.					
DRAWN BY	RJF						
FINISH	MILL						
SIZE	A	WEIGHT	.31 lbs	PART NUMBER	5112	REV	