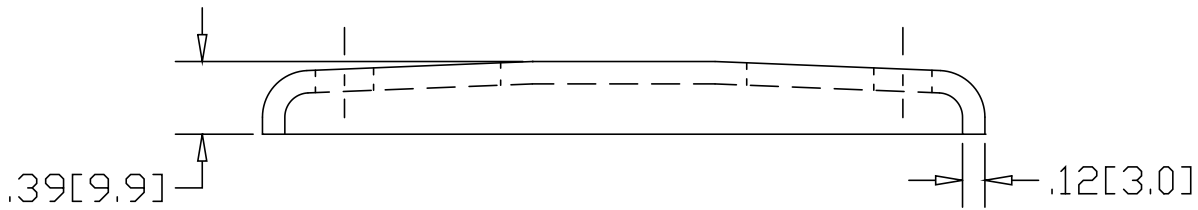
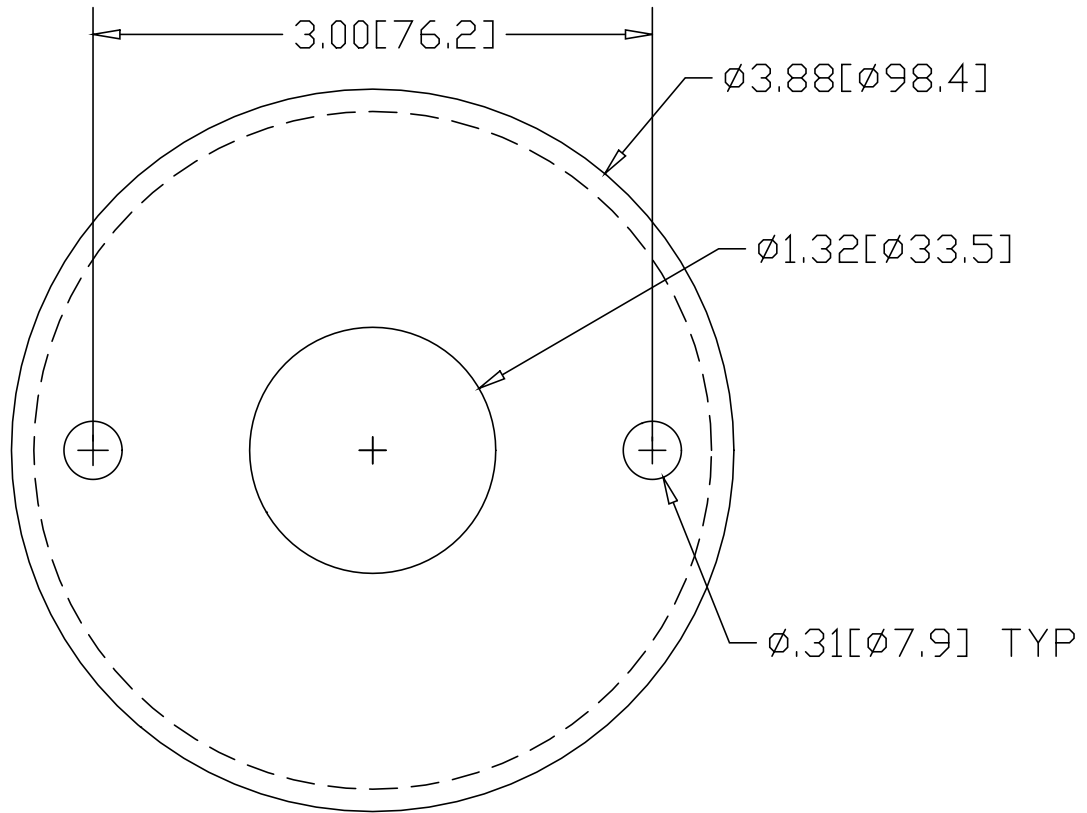


REV
SH
2519
DWG NO


REVISIONS			
REV	DESCRIPTION	DATE	APPROVED



INCHES [MILLIMETERS]

*USE WITH ANCHOR PLATE
#B1432 IN STEEL
#PLB1432 ZINC PLATED STEEL
#B1532 IN STAINLESS STEEL

ALTERNATE MATERIAL	PART NUMBER
.125 (3003) ALUMINUM ASTM B209	2559
10 GA. (304) STAINLESS STEEL ASTM A240	2599

PART NAME				1" PIPE HEAVY FLUSH BASE FLANGE W/(2) HOLES	
MATERIAL				10 GA. HRP&D STEEL ASTM A569	
DATE	3/31/99			R & B WAGNER, INC.	
DRAWN BY	RJF				
FINISH	MILL	SIZE	A	WEIGHT	.5 LBS
			PART NUMBER	2519	REV