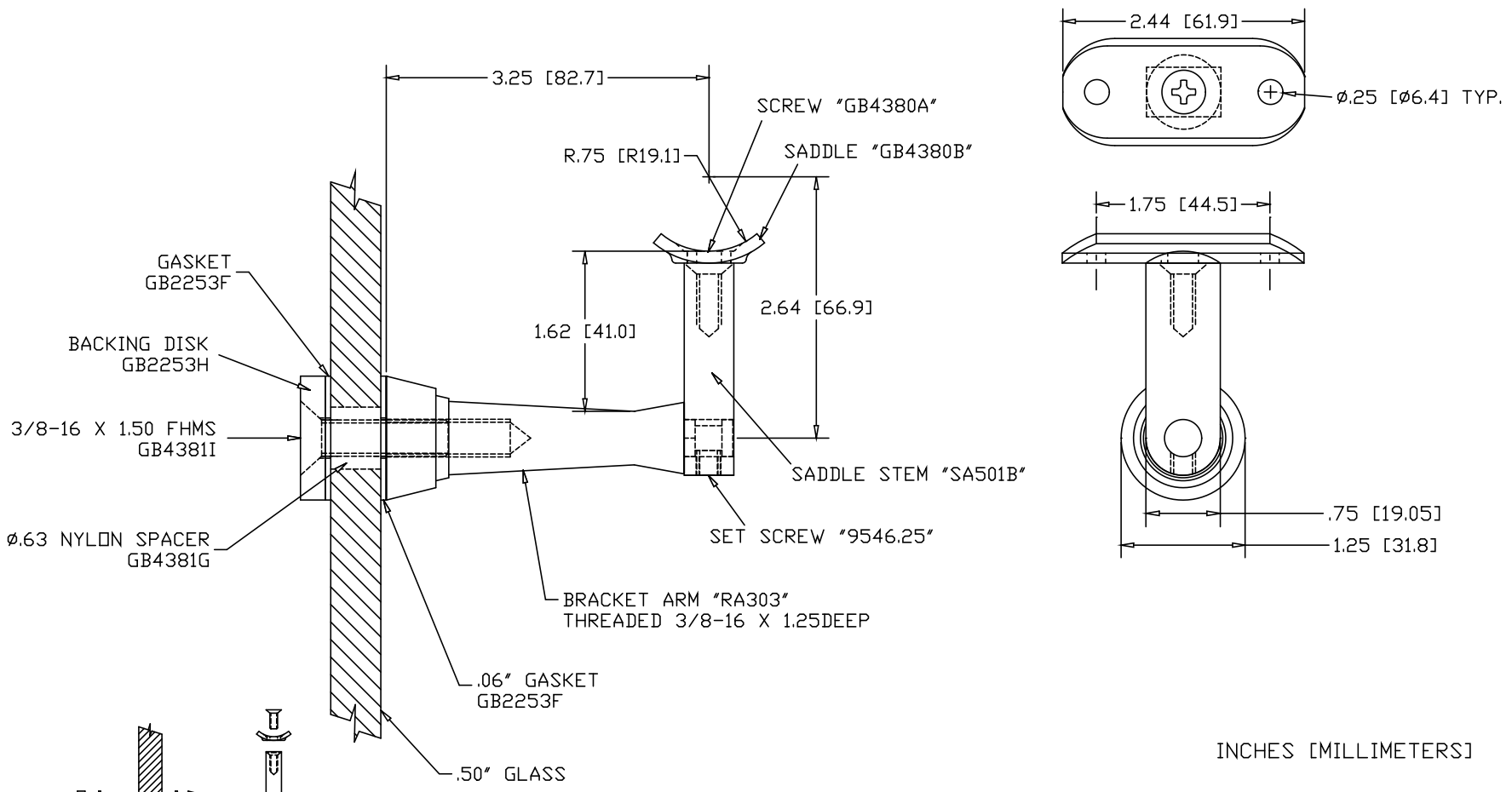
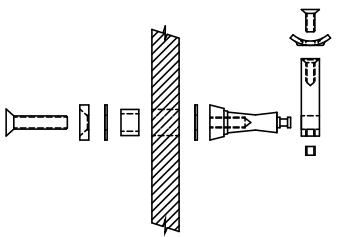


REVISIONS			
REV	DESCRIPTION	DATE	APPROVED
A	3.25 WAS 2.62	02/28/08	RJF



INCHES [MILLIMETERS]



EXPLODED VIEW

PART NAME		MACHINED ALUM. BRACKET, SM. GLASS MOUNT KIT		
MATERIAL		6063 ALUMINUM		
DATE	1/24/07		THE WAGNER COMPANIES R & B WAGNER, INC. AND J. G. BRAUN CO.	
DRAWN BY	RDC			
FINISH	#4 SATIN	SIZE	WEIGHT	PART NUMBER
		A		GB2304
				REV A