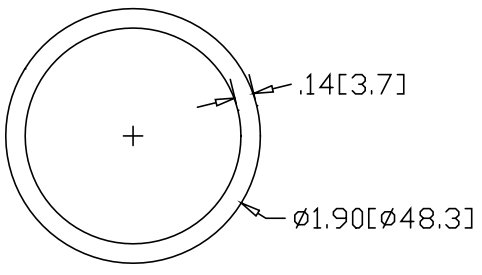
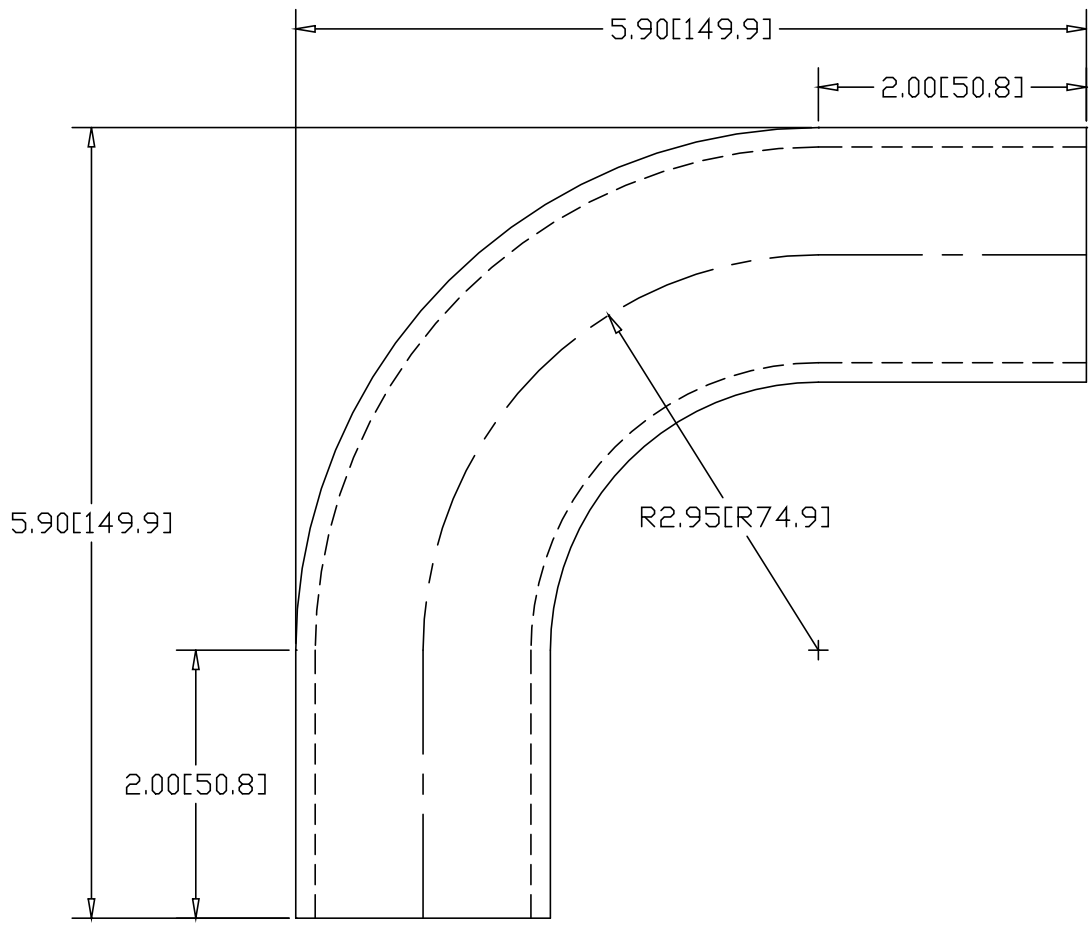



REV
SH
341-7
DWG NO

REVISIONS			
REV	DESCRIPTION	DATE	APPROVED



INCHES [MILLIMETERS]

ALTERNATE MATERIAL	PART NUMBER
1-1/2" SCH 40 (6063) ALUMINUM PIPE	365-7
1-1/2" SCH 40 (304) STAINLESS STEEL PIPE	389-3

PART NAME 1-1/2" PIPE SIZE 90° ELL X 2" I.R. W/(2) 2" TANGENTS			
MATERIAL 1-1/2" SCH 40 STEEL PIPE A53			
DATE 8/24/95		R & B WAGNER, INC.	
DRAWN BY RJF		SIZE A	WEIGHT 1.8 LBS
FINISH MILL			REV