

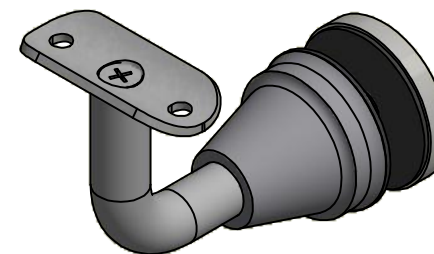
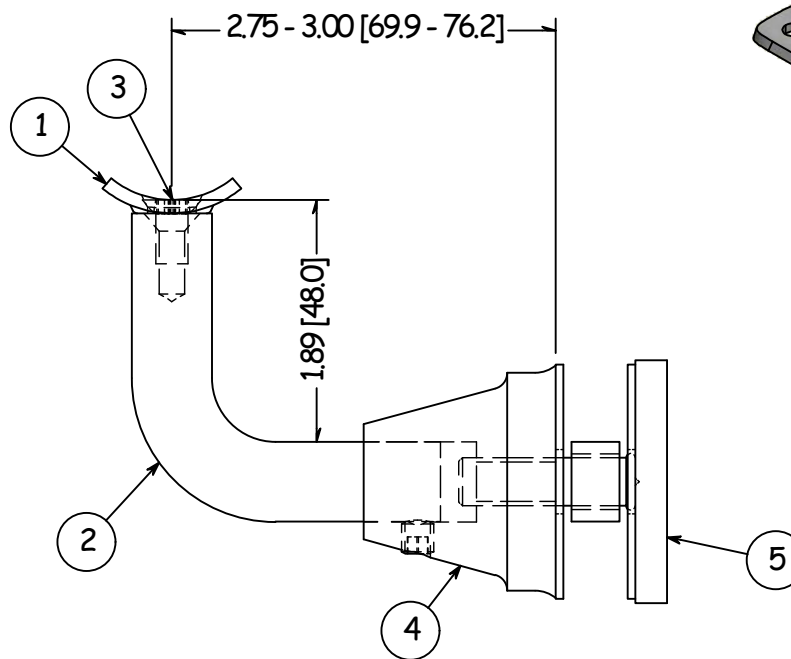
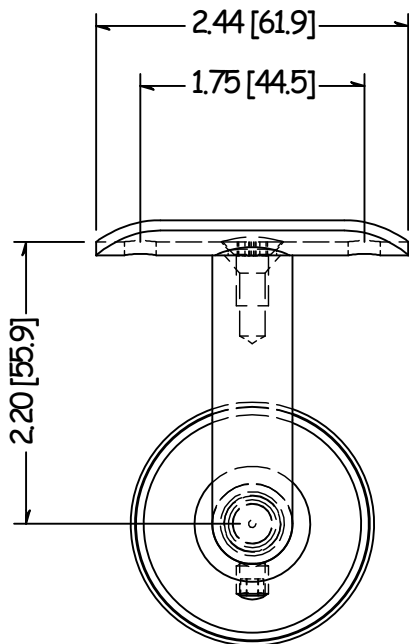
2



1

PARTS LIST

ITEM	QTY	PART NUMBER	DESCRIPTION
1	1	GB4382B	SADDLE SS C'SUNK MILL
2	1	GB4382C	BAR BEND FOR GLASS MOUNT BRACKET .625 DIA 304 SS
3	1	FPH3N2520-0050	SCREW SS 1/4-20 X .50 FLAT PHILLIPS HEAD
4	1	GB4382H	Base Hub, Stainless Steel, Cast, #4 Satin Finish, Type 316
5	1	GB3387K	HANDRAIL BRACKET GLASS MOUNT ADAPTER ASSY, SS, 1.90 DIA



B

B



A

A

TOLERANCE UNLESS OTHERWISE NOTED, TOLERANCES TO CONFORM TO ES.03.011	MATERIAL: 304 Stainless	DESCRIPTION: Handrail Bracket, SS, Glass Mount, 1/2 Inch, 2-3/4 To 3 Inch From Glass, 1.90 DISK	
	FINISH: #4	DATE: 2/11/2021	REV: 2
	WEIGHT: N/A	DRAWN BY: K.Turdo	
	ITEM NUMBER: GB4387.75		

 **WAGNER**™ 10600 W Brown Deer Rd
Milwaukee, WI 53224
COLLABORATIVE METALWORKS <http://www.wagnercompanies.com/>

2



1