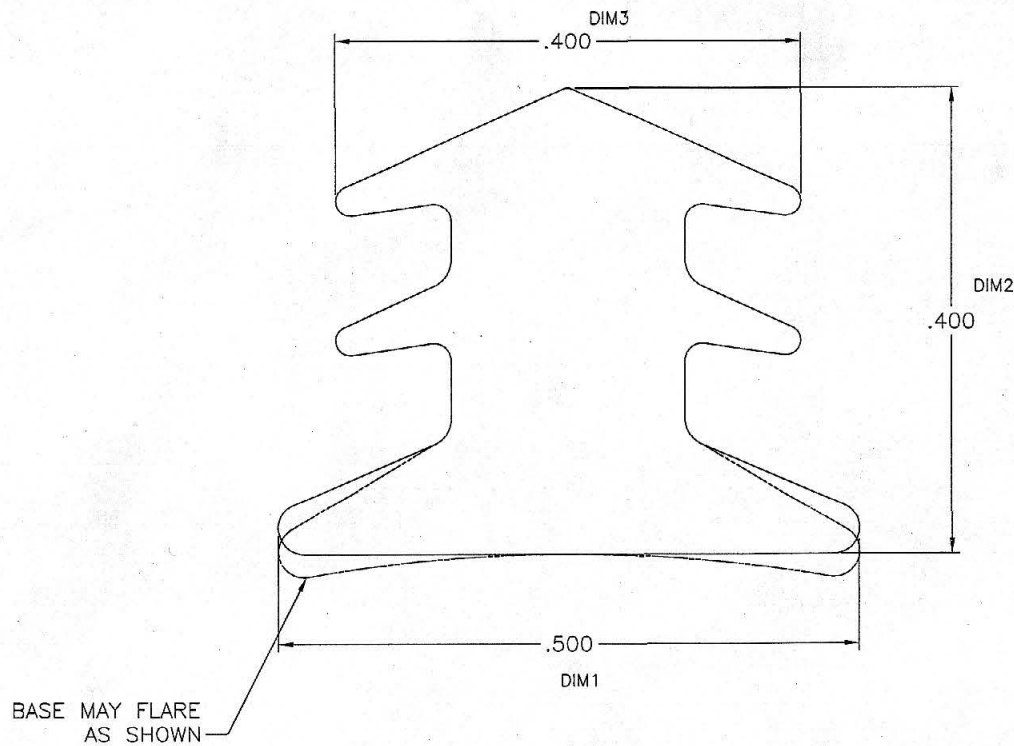


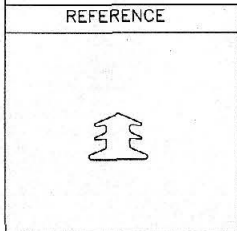
RMA-CLASS 2 TABLE 36		
DIMENSIONS (in) MO-1: 2005		
FROM	TO	TOLERANCE
.000	.250	±.020
.251	.500	±.040
.501	1.000	±.080
1.001	1.600	±.125
1.601		X .080

NO.	REVISIONS	DATE	BY	AUTH.
1	CMPD 6190 WAS 6255	7/6/09	DAM	DAM
2	REV DWG TO MEET SAMPLE	2/4/10	DAM	RL



NOTES:

- 1) KEY CHARACTERISTIC NOTED AS: \diamond
- 2) LINE UP PART ON THESE POINTS: ∇



LAUREN MANUFACTURING
 Certified to ISO/TS 16949:2002 (ISO 9001:2000)

DRAWN BY: JKB DATE: 1-30-08
 CUSTOMER: R&B WAGNER
 CUSTOMER P/N: GR9398
 MATERIAL: BC-0-6190 SCALE: 10:1 AREA: .111
 MATERIAL SPECIFICATION: ASTM D-1056, 1A5
 OPEN CELL EPDM SPONGE (BLACK)
 PROTOTYPE REF: 4-0650 DRAWING NO: 53971
 SHEET 1 NO. 1

GR9398