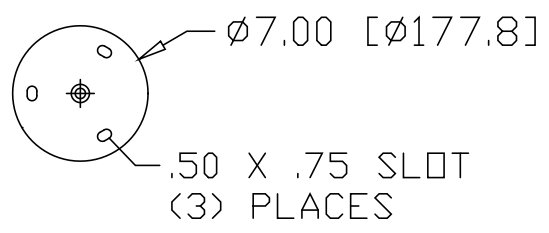
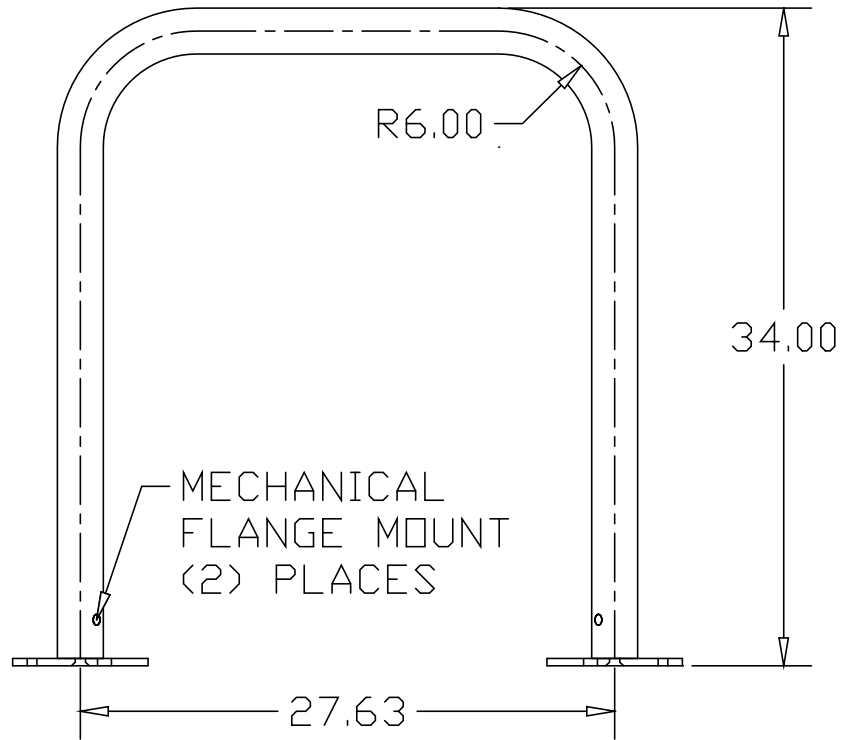



REV
SH
SR1LW6-SM-BLK
DWG NO

REVISIONS			
REV	DESCRIPTION	DATE	APPROVED



INCHES [MILLIMETERS]

PART NAME PRE-GALVANIZED BIKE RACK KIT, U-BEND SURFACE MOUNT			
MATERIAL 2.375" OD X .120W GALVANIZED STEEL TUBE			
DATE 02/03/12		THE WAGNER COMPANIES R & B WAGNER, INC. AND J. G. BRAUN CO.	
DRAWN BY RJF			
FINISH POWDERCOAT BLACK			
SIZE A	WEIGHT 24.63 LBS	PART NUMBER SR1LW6-SM-BLK	REV