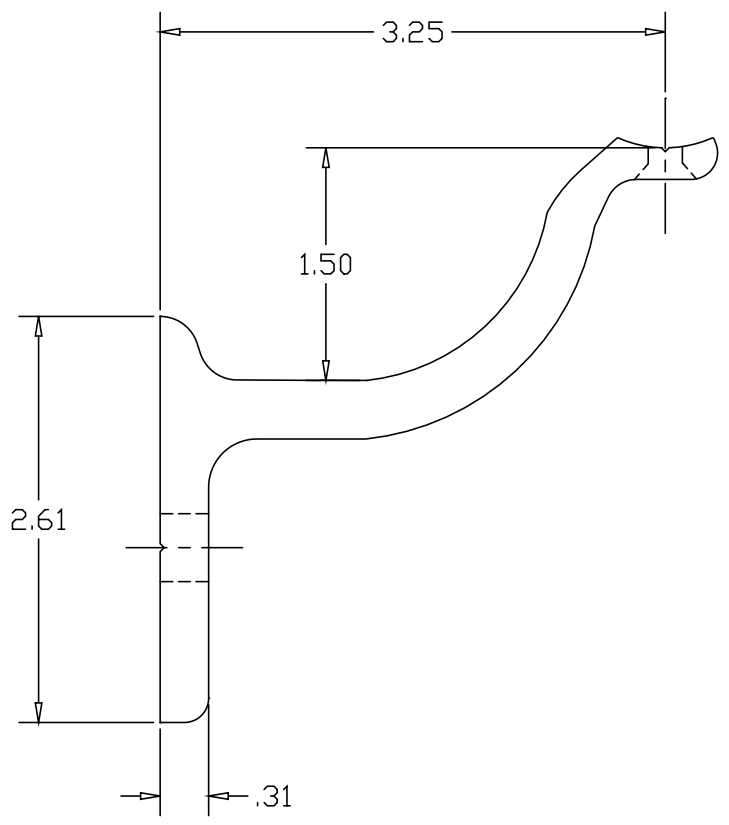
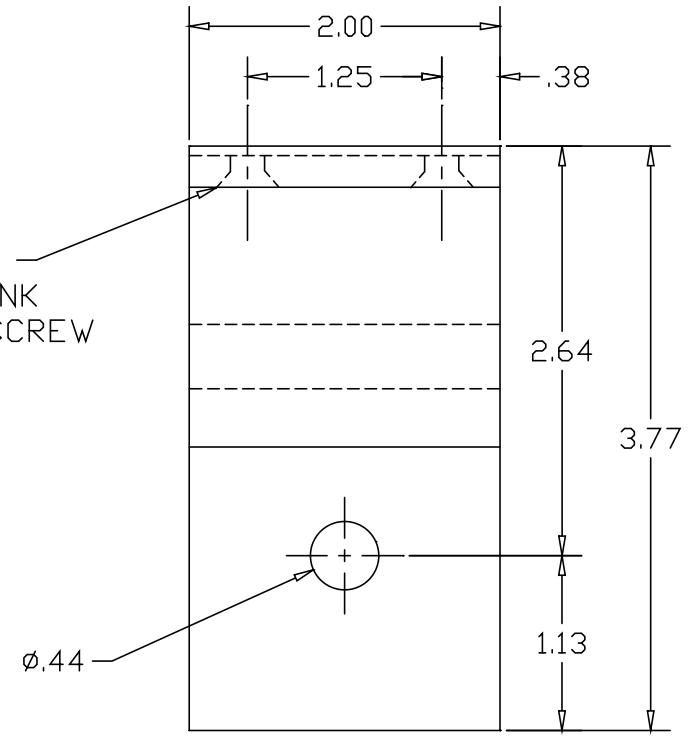



REVISIONS			
REV	DESCRIPTION	DATE	APPROVED



Ø.22 TYP
WITH C'SINK
FOR #10 SCREW
(2) HOLES



PART NAME 3-1/4" EXTRUDED ALUM. HANDRAIL BRACKET W/1-1/2" CLEAR			
MATERIAL 6063-T52 ALUMINUM			
DATE	2/01/05	 THE WAGNER COMPANIES R & B WAGNER, INC. AND J. G. BRAUN CO.	
DRAWN BY	RDC		
FINISH	TUMBLER		
SIZE	A	WEIGHT	
		PART NUMBER	ER8003
		REV	