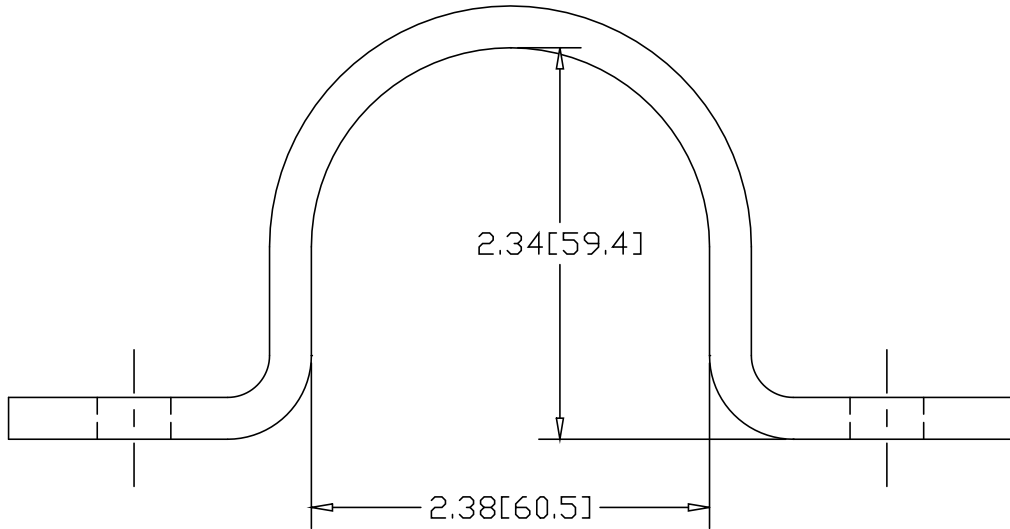
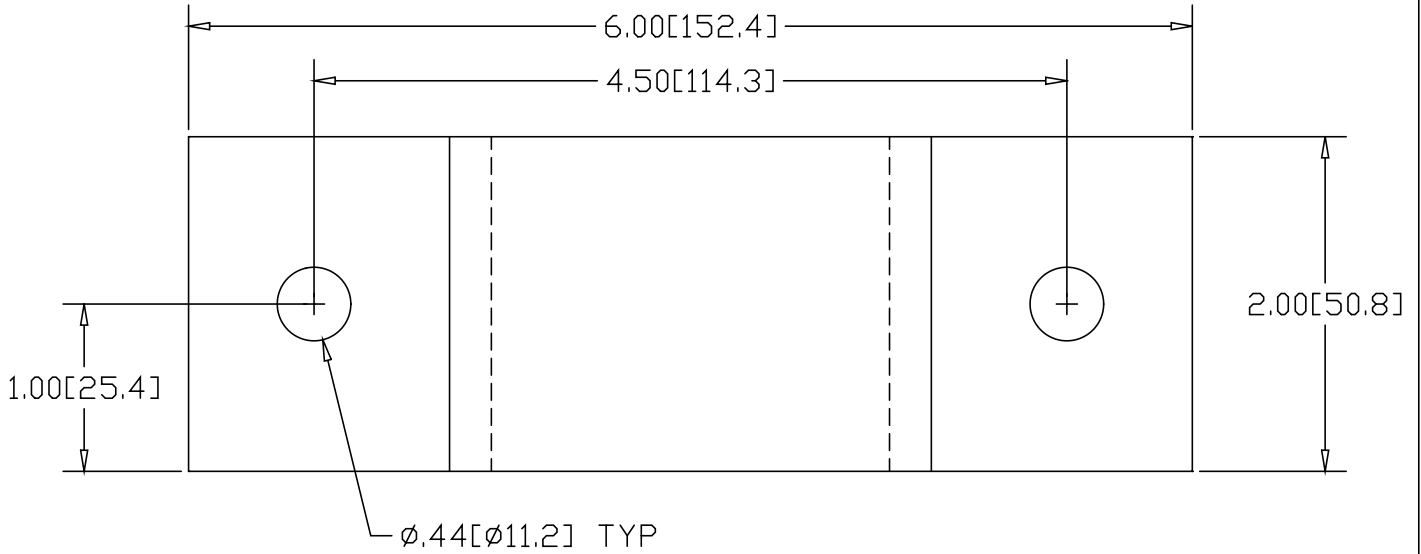



REV
SH
DWG NO 3754

| REVISIONS | | | |
|-----------|-------------|------|----------|
| REV | DESCRIPTION | DATE | APPROVED |



INCHES [MILLIMETERS]

| ALTERNATE MATERIAL | PART NUMBER |
|---------------------------------------|-------------|
| .250 (3003) ALUMINUM ASTM B209 | 3760 |
| 7 GA. (304) STAINLESS STEEL ASTM A240 | 3766-SS |

| | | | | |
|--|---|--------|-----------------|------------------|
| PART NAME 2" PIPE (2.38" OD) X 2" WIDE U-BRACKET W/(2) HOLES | | | | |
| MATERIAL .250 HRP&□ STEEL ASTM A569 | | | | |
| DATE 1/13/00 |  THE WAGNER COMPANIES R & B WAGNER, INC. AND J. G. BRAUN CO. | | | |
| DRAWN BY RJF | | SIZE A | WEIGHT 1.19 LBS | PART NUMBER 3754 |
| FINISH MILL | | | | REV |