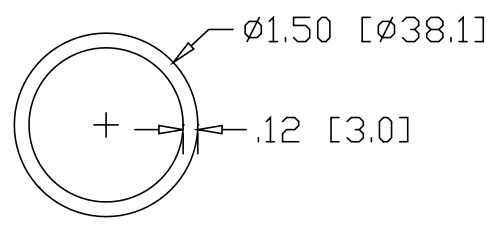
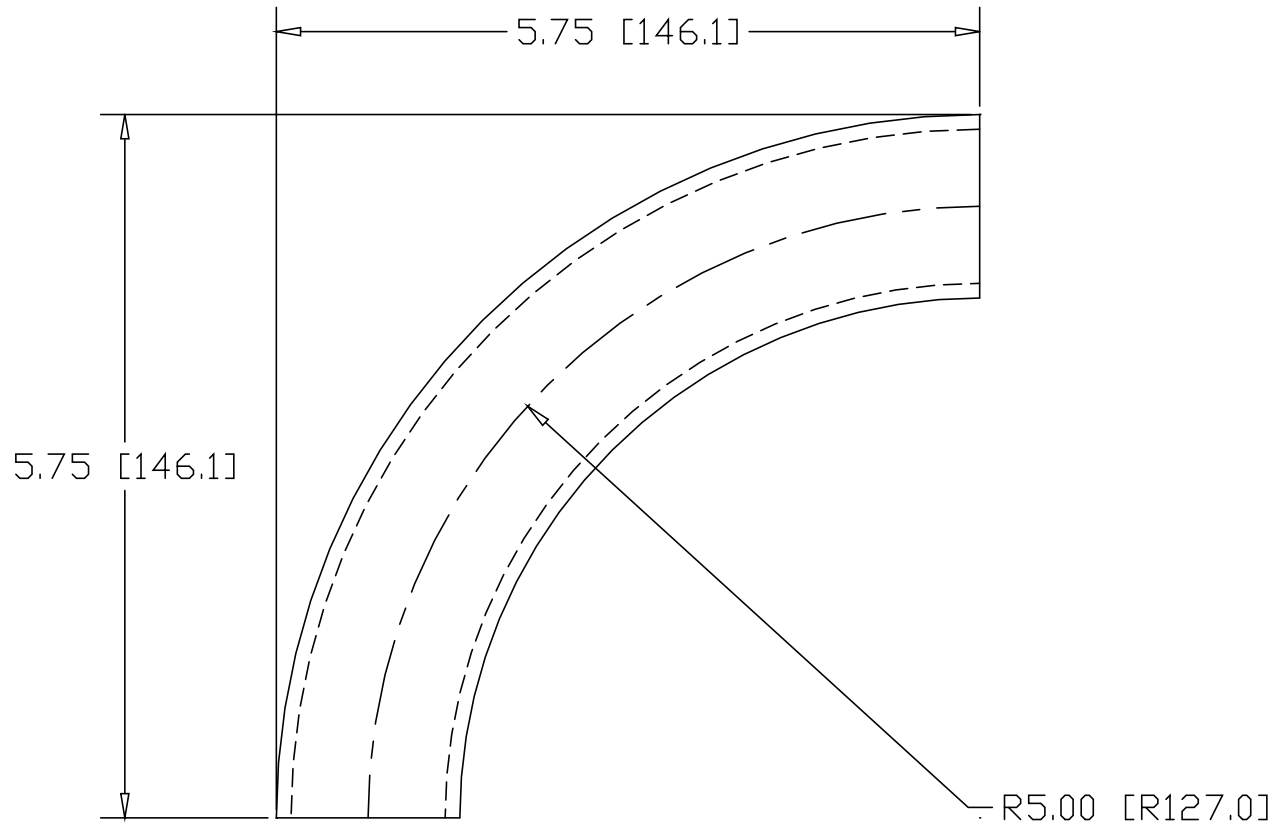



REV  
SH  
6956-5  
DWG NO

REVISIONS			
REV	DESCRIPTION	DATE	APPROVED



INCHES [MILLIMETERS]

ALTERNATE MATERIAL		PART NUMBER					
1.50" Ø.D. X .125W (6061-T1) ALUMINUM TUBE		6967-5					
1.50" Ø.D. X .120W (304) STAINLESS STEEL TUBE		6975-5					
PART NAME 1.50" Ø.D. TUBE 90° ELL X 5.00" CLR							
MATERIAL 1.50" Ø.D. X .120W STEEL TUBE							
DATE	9/22/00	 <b>R &amp; B WAGNER, INC.</b>					
DRAWN BY	RJF						
FINISH	MILL						
SIZE	A	WEIGHT	1.16 LBS	PART NUMBER	6956-5	REV	