

2



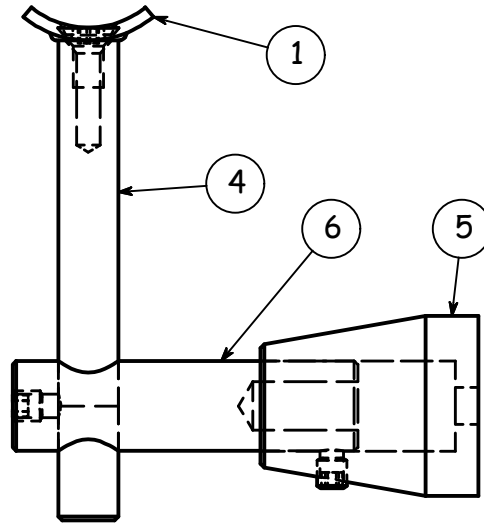
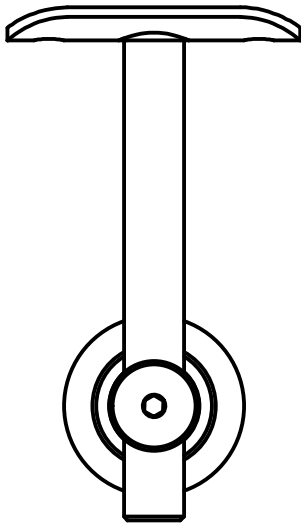
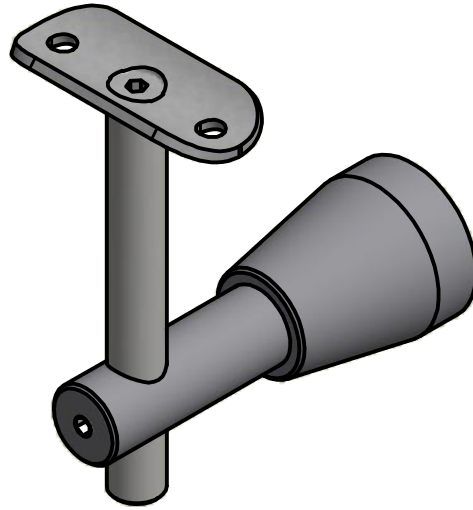
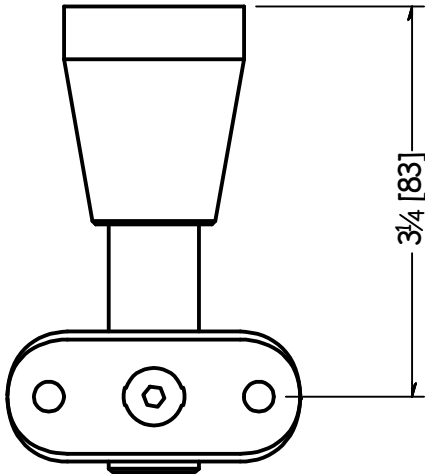
1

PARTS LIST

ITEM	QTY	PART NUMBER	DESCRIPTION
1	1	S103	BRACKET SADDLE SS 2.50 1.00 W/HOLE 304
2	1	FPH3N2520-0050	SCREW SS 1/4-20 X .50 FLAT PHILLIPS HEAD
3	2	SAP3N2520-0025	SCREW SS 1/4-20 X .25 SKT HEAD SET SCREW
4	1	WR3151ST	Handrail Bracket Stem, SS, Cast, .500 Inch, 4.00 Inch, #4 Satin Finish, Type 316
5	1	WR3166SFHUB	Handrail Bracket Hub, SS, Cast, 1.50 in W/ 3/8 in Threaded Hole, #4 Satin Finish
6	1	WR3168SFHARM	Handrail Bracket Arm, SS, Cast, Horizontal, .75 in Dia, 3.00 in Long, #4 Satin

B

B



A

A

<b>TOLERANCE</b> FRACTION: X/XX..... = ± 1/16" over 4ft. 16 FT RAIL EXAMPLE: 16 FT / 4 FT = 4 * 1/16" = 1/4" 16 FT RAIL..... = ± 1/4"  DECIMAL: X.XX..... = ± .030 X.XXX..... = ± .010  UNLESS OTHERWISE NOTED	FINISH:	DESCRIPTION: ASSY, HANDRAIL BRACKET POST MOUNT			
	#4	MATERIAL:	CUSTOMER NAME:		
	WEIGHT:	DATE:		<b>THE WAGNER COMPANIES</b> R & B WAGNER, INC. AND J. G. BRAUN CO.	
	1.11 lbmass	5/7/2010			
SIZE:	DRAWN BY:	ITEM NUMBER:	SHEET:	DRAWING NUMBER:	REV:
A		WR3900P	1 OF 1	WR3900P	1

2



1