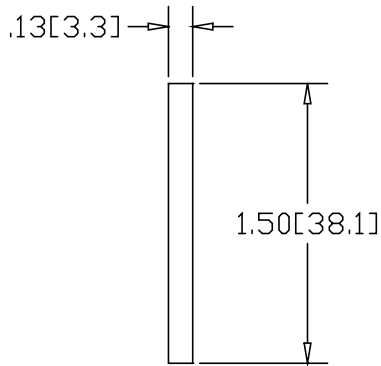
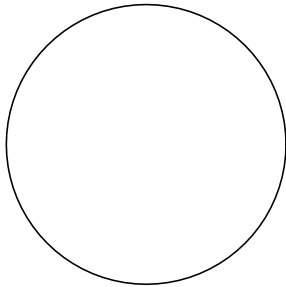
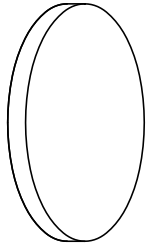



REV  
SH  
DWG NO D045

REVISIONS			
REV	DESCRIPTION	DATE	APPROVED



INCHES [MILLIMETERS]

ALTERNATE MATERIAL	PART NUMBER
.125 (3003) ALUMINUM ASTM B209	D046
10 GA (304) STAINLESS STEEL ASTM A240	D047
.125 (260) BRASS ASTM B19,B36	D048

PART NAME 1.50" OD TUBE SIZE TYPE-D WELD-ON DISK				
MATERIAL 10 GA. HRP&D STEEL ASTM A569				
DATE 10/11/96		<b>THE WAGNER COMPANIES</b> R & B WAGNER, INC. AND J. G. BRAUN CO.		
DRAWN BY RJF				
FINISH MILL	SIZE A	WEIGHT .07 LBS	PART NUMBER D045	REV