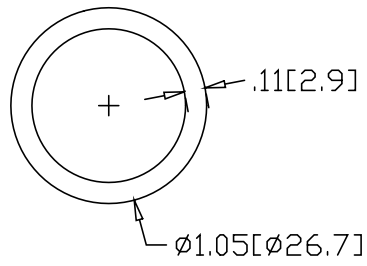
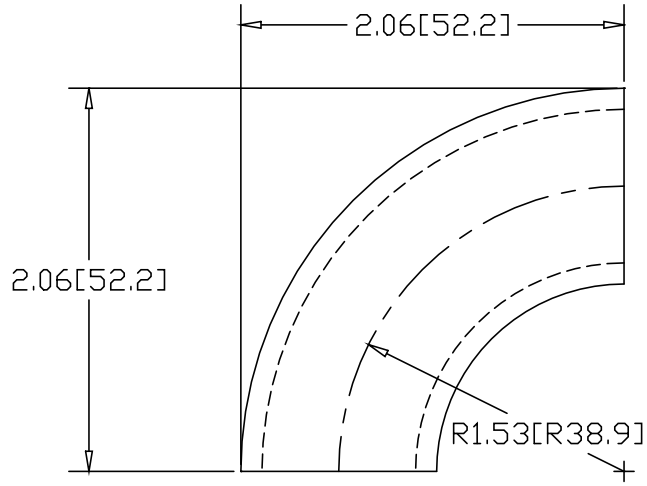



REV  
SH  
157  
DWG NO

REVISIONS			
REV	DESCRIPTION	DATE	APPROVED



INCHES [MILLIMETERS]

ALTERNATE MATERIAL	PART NUMBER
3/4" SCH 40 (6063) ALUMINUM PIPE	167

PART NAME		3/4" PIPE 1" I.R. X 90° ELL			
MATERIAL		3/4" SCH 40 A53 STEEL PIPE			
DATE	8/17/95	 <b>R &amp; B WAGNER, INC.</b>			
DRAWN BY	RJF				
FINISH	MILL	SIZE	WEIGHT	PART NUMBER	REV
		A	.30 LBS	157	