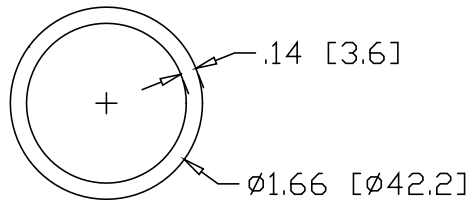
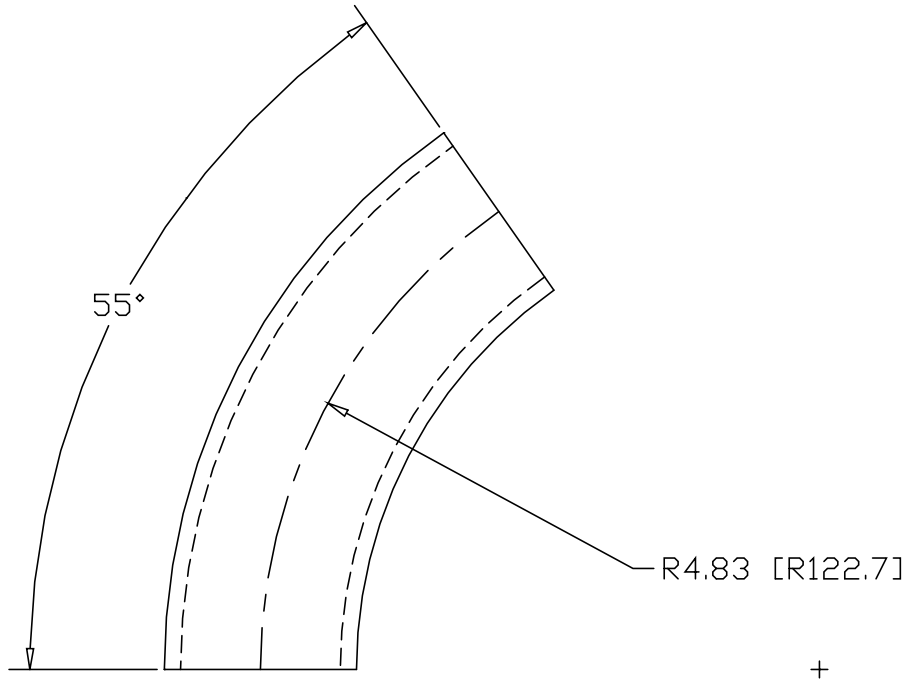



REV
SH
5633
DWG NO

REVISIONS			
REV	DESCRIPTION	DATE	APPROVED



INCHES [MILLIMETERS]

ALTERNATE MATERIAL	PART NUMBER
1-1/4" SCH 40 (6063) ALUMINUM PIPE	5643
1-1/4" SCH 40 (304) STAINLESS STEEL PIPE	5653

PART NAME				1-1/4" PIPE SIZE 55° ELL X 4" I.R.	
MATERIAL				1-1/4" SCH 40 A53 STEEL PIPE	
DATE	4/5/96				
DRAWN BY	RJF				
FINISH	MILL				
SIZE	WEIGHT	PART NUMBER	REV		
A	.88 LBS	5633			