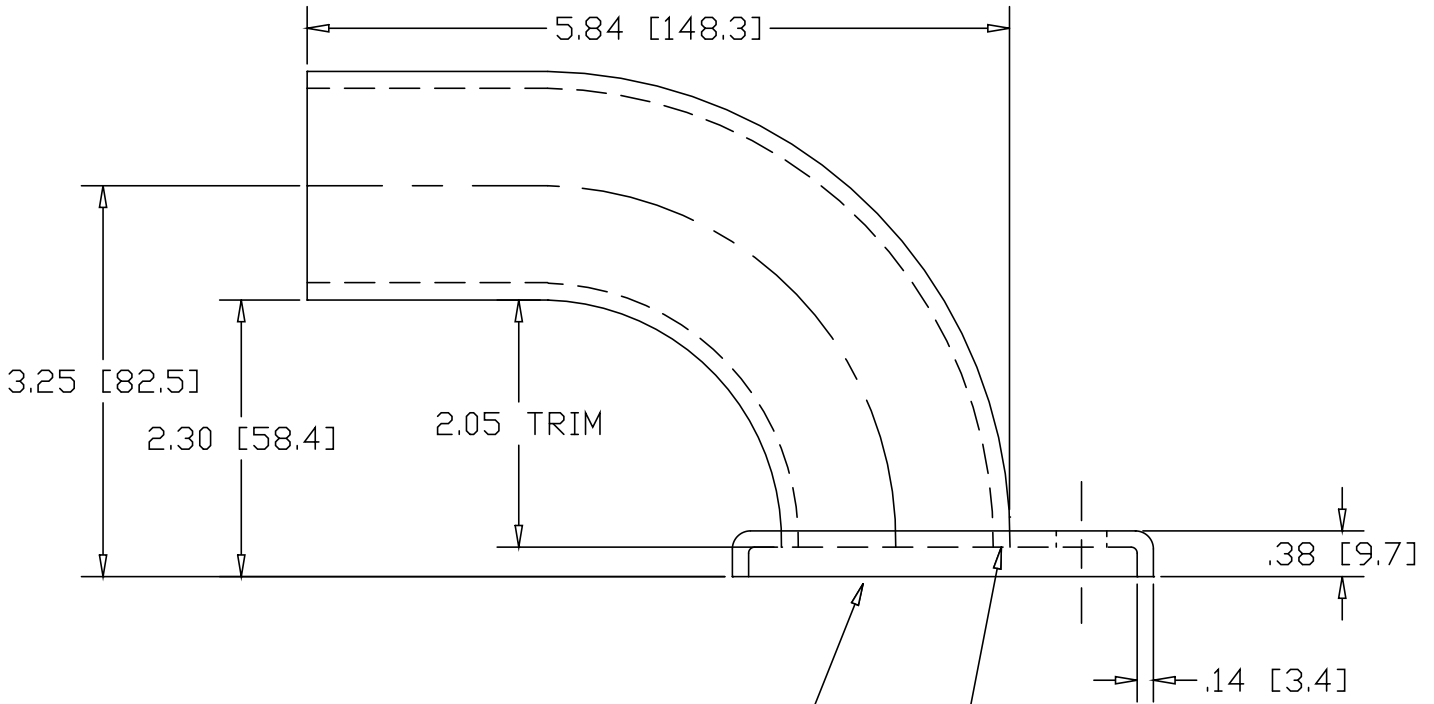
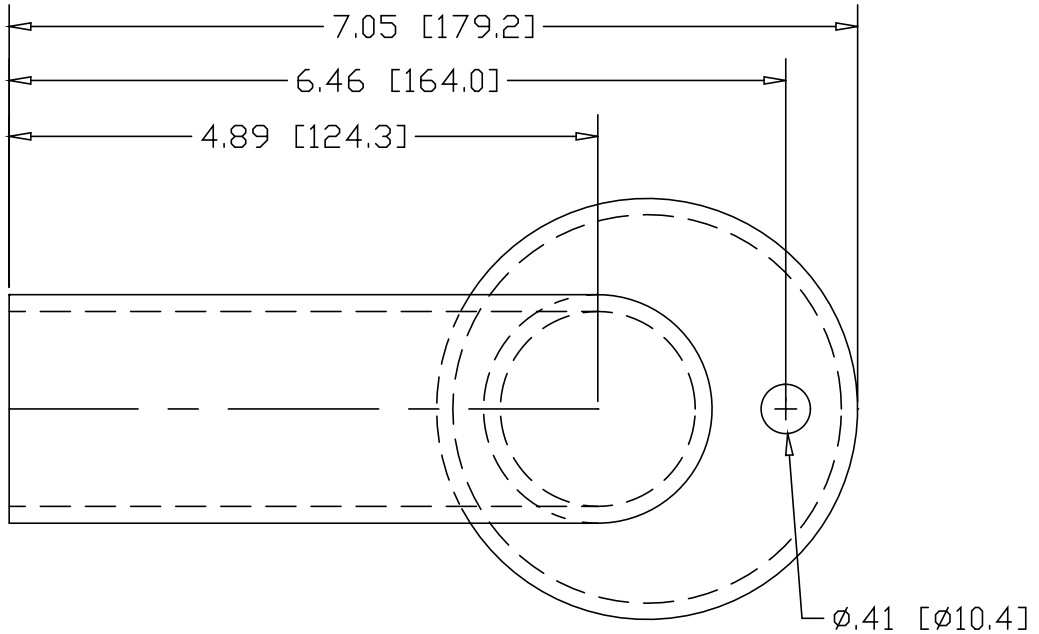


REV
SH
1165-1
DWG NO

REVISIONS			
REV	DESCRIPTION	DATE	APPROVED



HEAVY FLUSH BASE
PIPE FLANGE #2574R

WELD ALL-AROUND

INCHES [MILLIMETERS]

PART NAME 1-1/2" PIPE SIZE X 3.25"CL WALL RETURN W/1 HOLE			
MATERIAL 6063 ALUMINUM			
DATE 1/10/07		THE WAGNER COMPANIES R & B WAGNER, INC. AND J. G. BRAUN CO.	
DRAWN BY RDC			
FINISH MILL			
SIZE A	WEIGHT	PART NUMBER 1165-1	REV