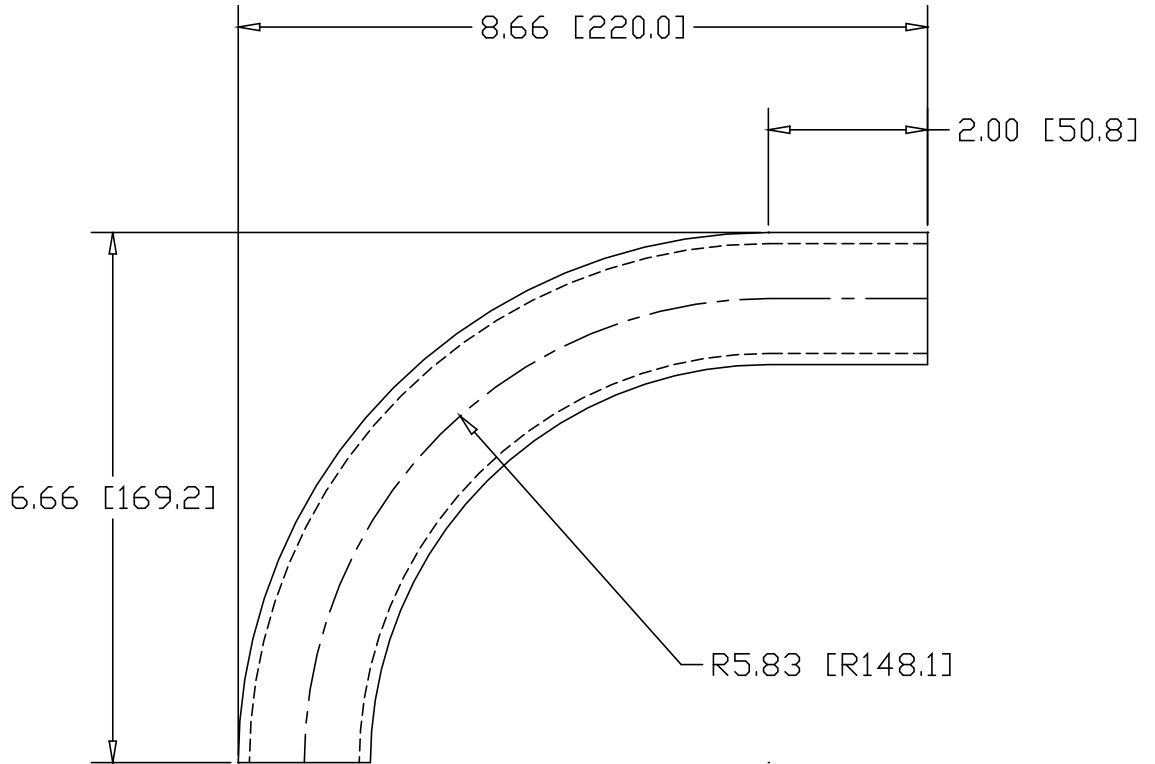


REV  
SH  
7068  
DWG NO

REVISIONS			
REV	DESCRIPTION	DATE	APPROVED



INCHES [MILLIMETERS]

ALTERNATE MATERIAL	PART NUMBER
1-1/4" SCH 40 (6063) ALUMINUM PIPE	7089
1-1/4" SCH 40 (304) STAINLESS STEEL PIPE	7108

PART NAME 1-1/4" PIPE SIZE 90° ELL X 5" I.R. W/ (1) 2" TANGENT			
MATERIAL 1-1/4" SCH 40 A53 STEEL PIPE			
DATE 7/02/01	<b>WAGNER</b>	R & B WAGNER, INC.	
DRAWN BY JAH			
FINISH MILL			
SIZE A	WEIGHT 2.11 LBS	PART NUMBER 7068	REV