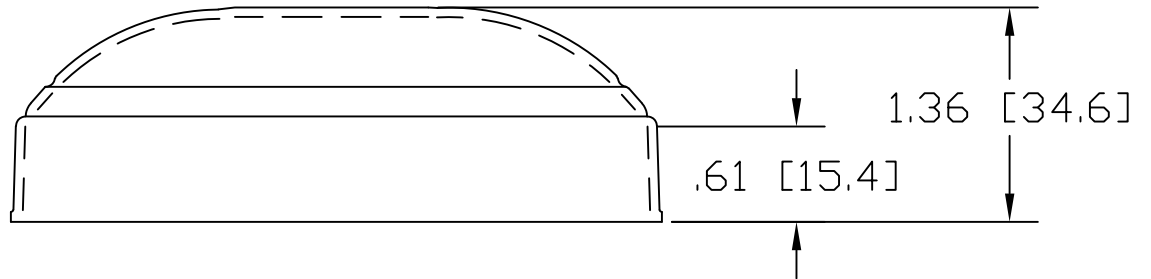
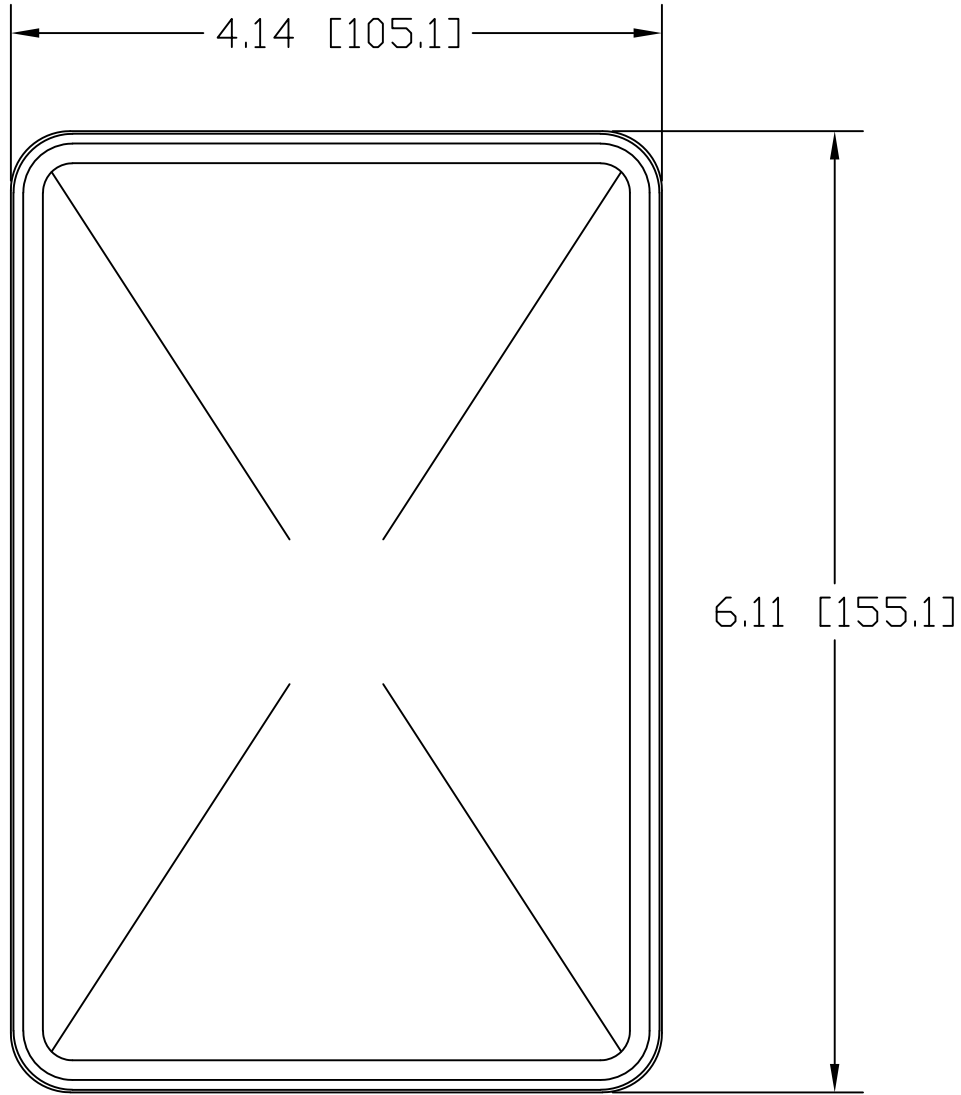



REV A
SH
DWG NO 5136

REVISIONS			
REV	DESCRIPTION	DATE	APPROVED
A	REDRAWN	10/17/17	RJF



INCHES [MILLIMETERS]

PART NAME		6.00 X 4.00" RECTANGULAR NEWEL POST CAP		
MATERIAL		18 GAUGE CR STEEL ASTM A366		
DATE	6/10/96	 THE WAGNER COMPANIES R & B WAGNER, INC. AND J. G. BRAUN CO.		
DRAWN BY	RJF			
FINISH	MILL	SIZE	WEIGHT	PART NUMBER
		A	.57 LBS	5136
				REV A