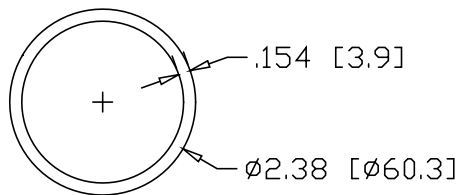
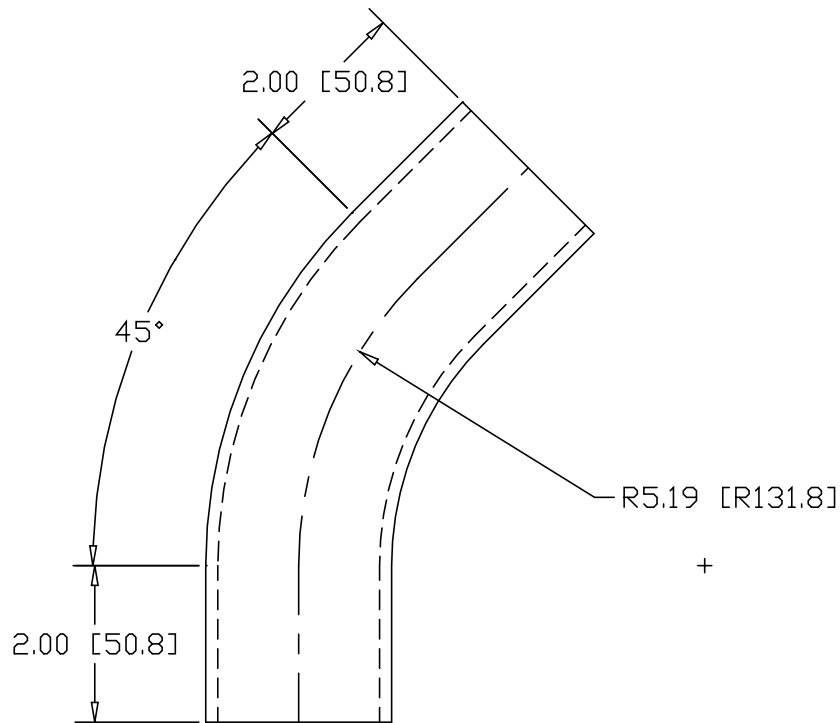



REV
SH
5723
DWG NO

REVISIONS			
REV	DESCRIPTION	DATE	APPROVED



INCHES [MILLIMETERS]

PART NAME		2" PIPE SIZE 45° X 4" I.R. ELL W/(2) 2" TANGENTS					
MATERIAL		2" SCH 40 STEEL PIPE					
DATE	4/9/96		THE WAGNER COMPANIES R & B WAGNER, INC. AND J. G. BRAUN CO.				
DRAWN BY	RJF						
FINISH	MILL						
SIZE	A	WEIGHT	2.44 LBS	PART NUMBER	5723	REV	