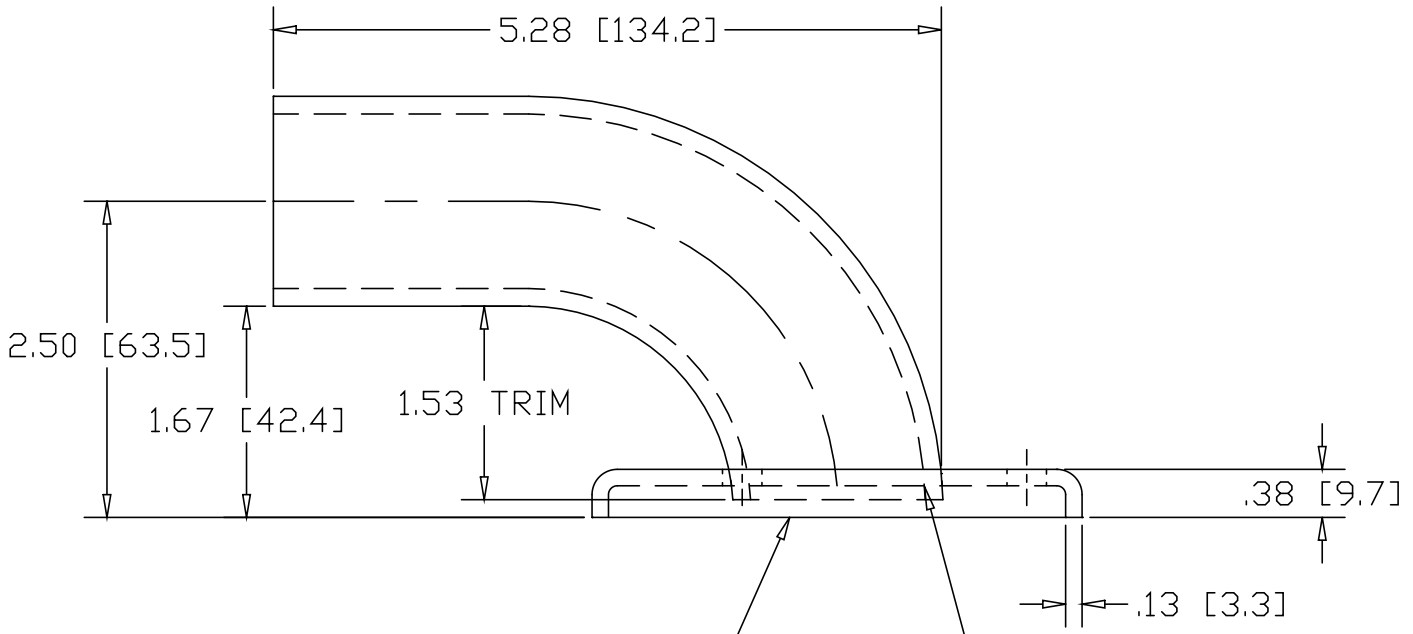
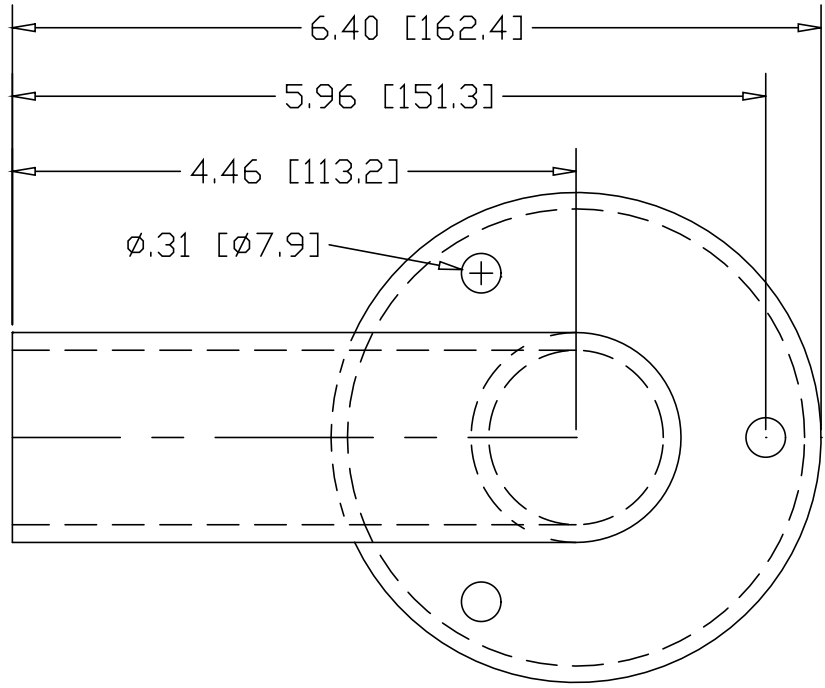


REV
SH
1109-3
DWG NO


REVISIONS			
REV	DESCRIPTION	DATE	APPROVED



HEAVY FLUSH BASE
PIPE FLANGE #2567A

WELD ALL-AROUND

INCHES [MILLIMETERS]

PART NAME 1-1/4" PIPE SIZE X 2.50"CL WALL RETURN W/3 HOLES			
MATERIAL 6063 ALUMINUM			
DATE	10/01/02	 THE WAGNER COMPANIES R & B WAGNER, INC. AND J. G. BRAUN CO.	REV
DRAWN BY	JAH		
FINISH	MILL		
SIZE	A	WEIGHT	PART NUMBER 1109-3