
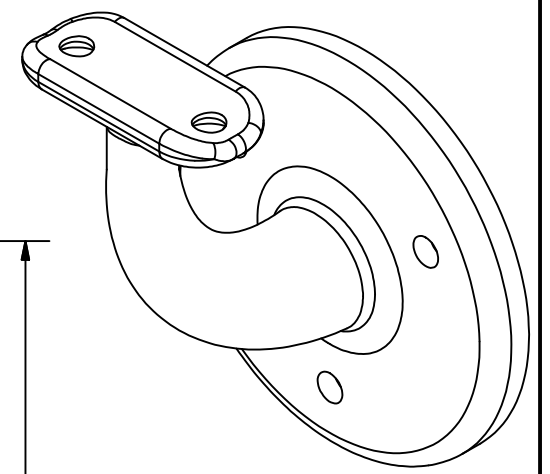
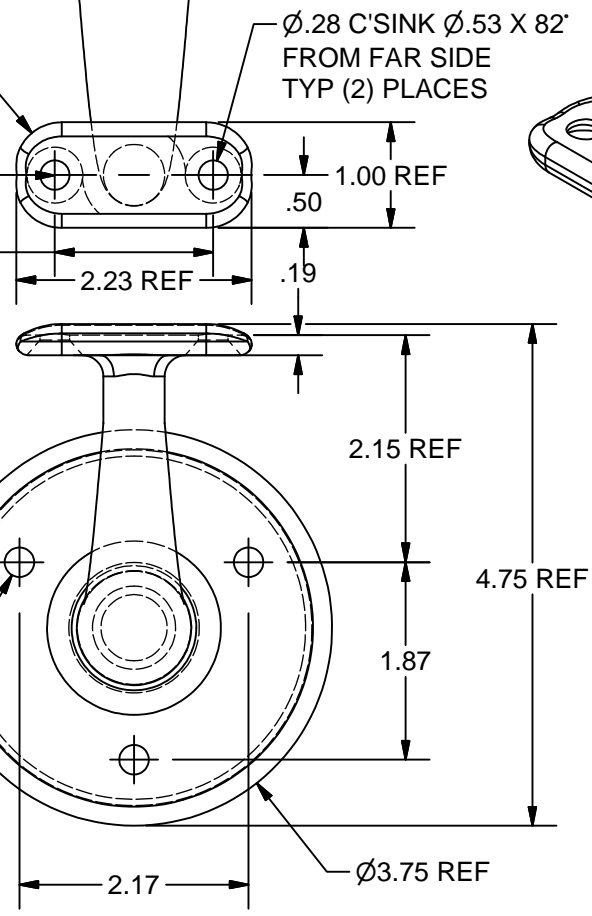
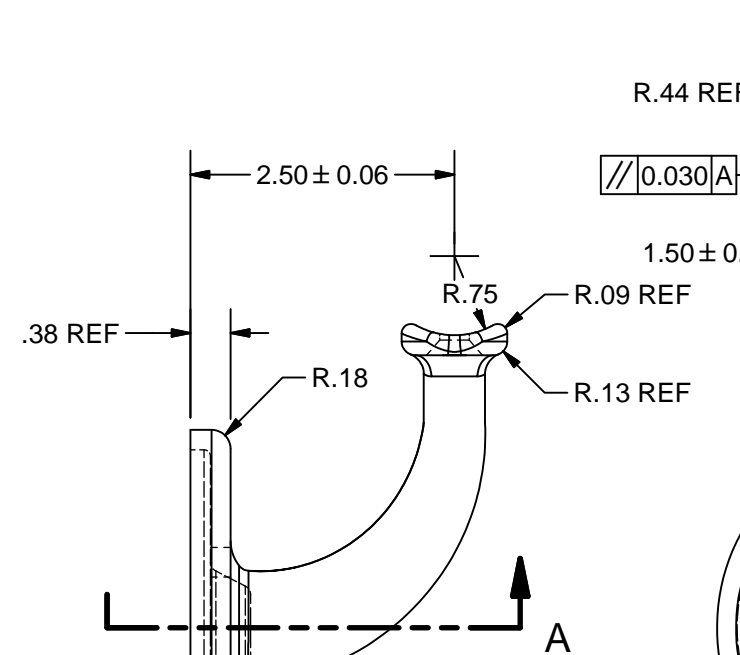
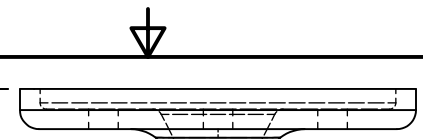


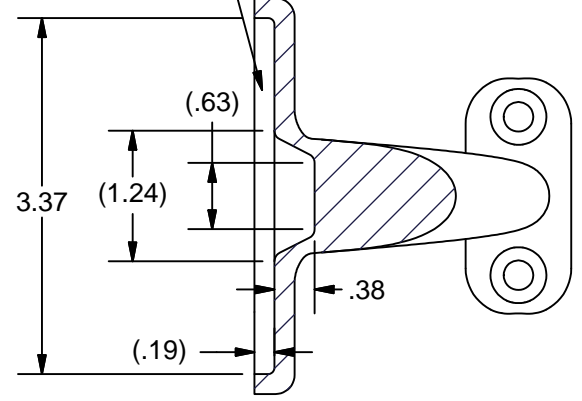
REVISION HISTORY

REV	DESCRIPTION	DATE	APPROVED
A	REDRAWN	2/4/2016	RJF


- A -  0.030



CAVITY MUST FIT  
Ø3.19 X .188 GAGE



SECTION A-A

NAME				2-1/2" CAST HANDRAIL BRACKET WITH UNIVERSAL SADDLE			
MATERIAL				(304) STAINLESS STEEL			
DATE		7/27/2006		 COLLABORATIVE METAL WORKS <b>WAGNER</b>			
DRAWN		RJF					
FINISH		#4 SATIN		SIZE	WEIGHT	PART NUMBER	REV
				A	1.547 lbs	1733-2	A

