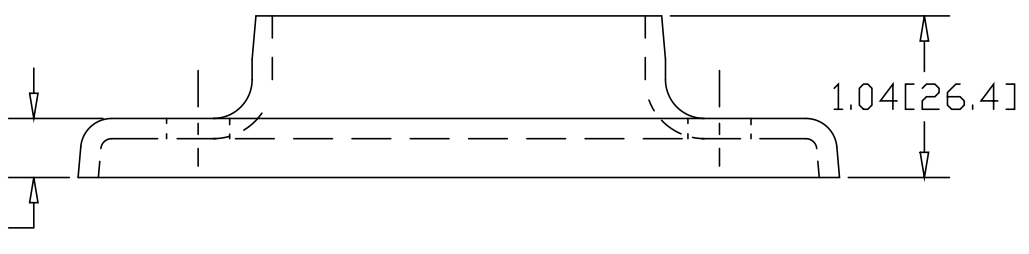
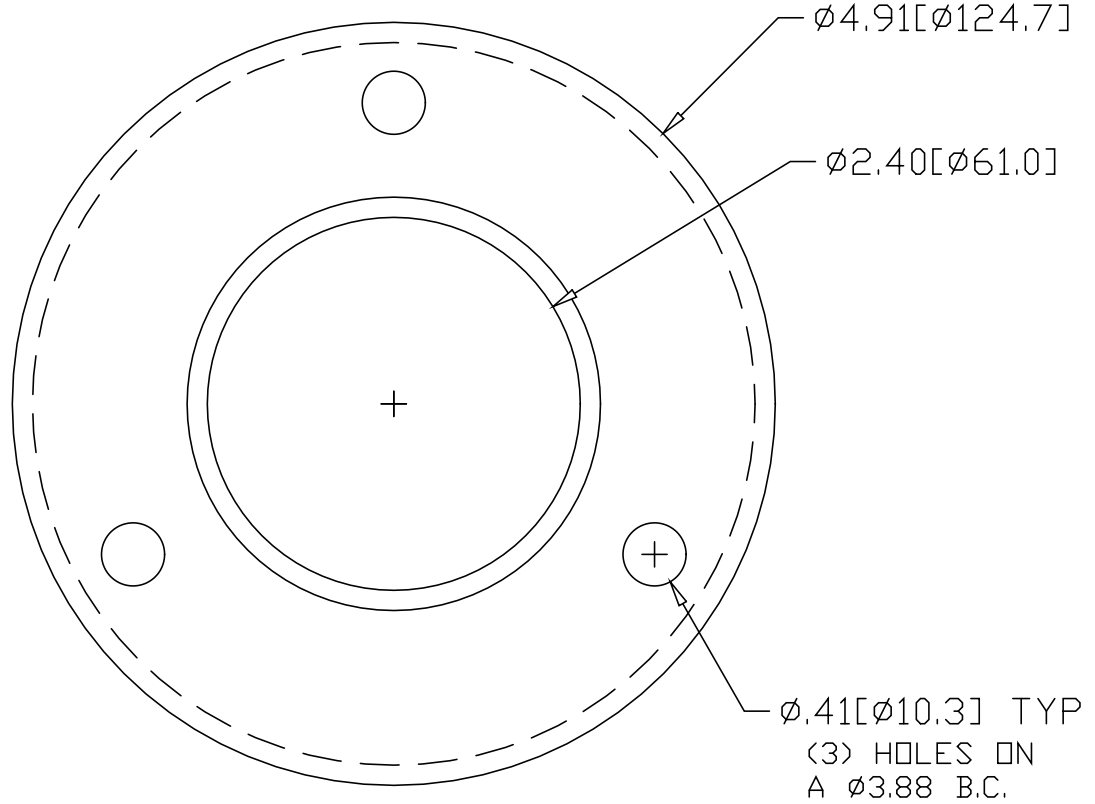


REV  
SH  
1443A  
DWG NO

REVISIONS			
REV	DESCRIPTION	DATE	APPROVED



\*USE WITH ANCHOR PLATE  
 #B1448 IN STEEL  
 #PLB1448 ZINC PLATED STEEL  
 #B1548 IN STAINLESS

INCHES [MILLIMETERS]

ALTERNATE MATERIAL	PART NUMBER
.125 (3003) ALUMINUM ASTM B209	1483A
10 GA. (304) STAINLESS STEEL ASTM A240	1543A

PART NAME				2" PIPE HEAVY BASE FLANGE W/(3) HOLES			
MATERIAL				10 GA. HRP&D STEEL ASTM A569			
DATE		9/14/94					
DRAWN BY		RJF					
FINISH		MILL					
SIZE	WEIGHT	PART NUMBER	REV				
A	.72 LBS	1443A					