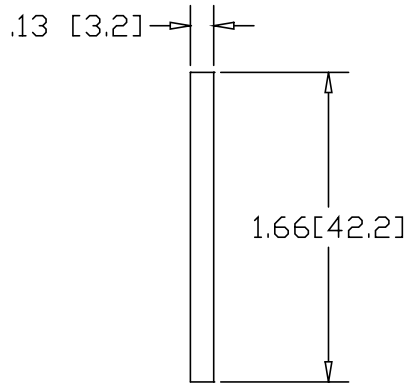
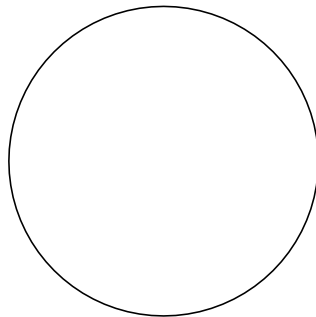
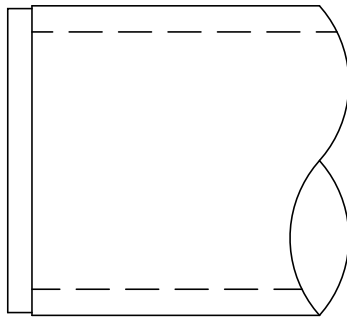
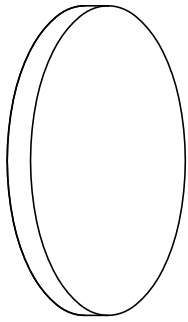



REV
SH
DWG NO D060

| REVISIONS | | | |
|-----------|-------------|------|----------|
| REV | DESCRIPTION | DATE | APPROVED |



INCHES [MILLIMETERS]

| ALTERNATE MATERIAL | PART NUMBER |
|----------------------------------------|-------------|
| .125 (3003) ALUMINUM ASTM B209 | D061 |
| 10 GA. (304) STAINLESS STEEL ASTM A240 | D062 |
| .125 (260) BRASS ASTM B19,B36 | D063 |

| | | | | |
|------------------------------------------------|-------------------------------------------------------------------------------------|-----------------------------------------------------------------------|------------------|-----|
| PART NAME 1-1/4" PIPE SIZE TYPE-D WELD-ON DISK | | | | |
| MATERIAL 10 GA. HRP&D STEEL ASTM A569 | | | | |
| DATE 10/11/96 |  | THE WAGNER COMPANIES R & B WAGNER, INC. AND J. G. BRAUN CO. | | |
| DRAWN BY RJF | | | | |
| FINISH MILL | SIZE A | WEIGHT .08 LBS | PART NUMBER D060 | REV |